



MFGAMMA

STEEL FACTOR



**LINE BOXES AT
INCREASED HYGIENE**

LINE BOXES AT INCREASED HYGIENE

CHD Series

MPGAMMA has designed and manufactured the new box line at increased hygiene completely made of stainless steel AISI 304L and fully sealed. This product was studied in particular to meet those high hygienic standards and expectations, which are normally required in application fields like food & beverage and pharmaceutical industries.

Its design allows the maximum cleaning access, insuring the highest features about hygiene and protection degrees IP66-IP69K IK10.

The manufacturing line CHD can be made according to specific customer's special requirements and completed with a wide range of accessories.

CERTIFICATIONS



Features

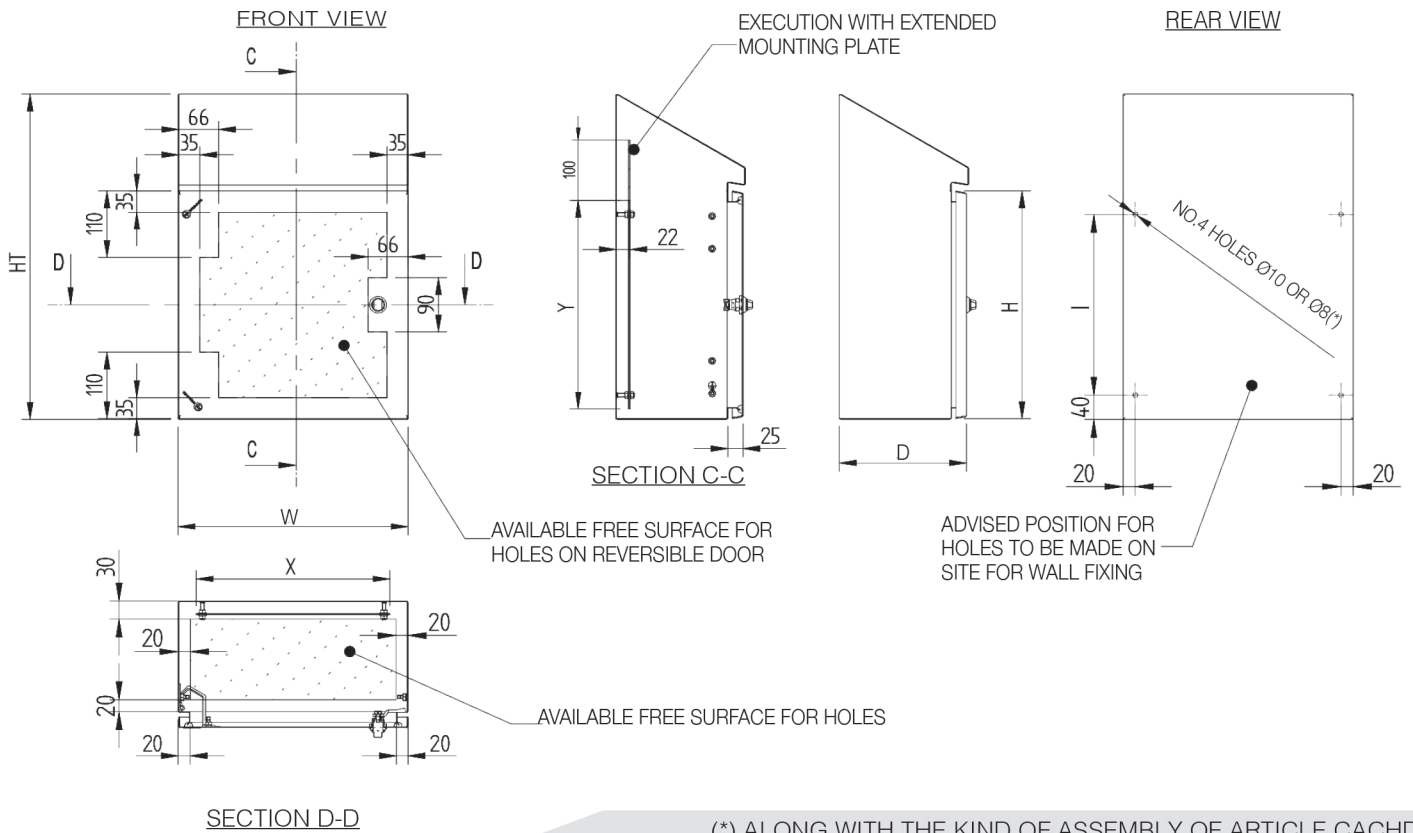
- Sloped roof made of integrated panel at 30° forward.
- Upper edge to protect the sealing ring.
- Roboter-layed Polyurethane sealing ring.
- Surface finishing with extreme low roughness at RA < 0.3 μ.
- Without inserts/holes on the back.
- Door with sloped edges and internal hinges (Standard position for the hinges on the left-hand side- reversible on demand).
- Hygienic locks (1 or 2, according to the size).
- Internal hinges with opening at 120°.
- Metal sheet thickness from 1,2 mm to 2 mm according to the dimensions.
- Mounting plate in zinc coated metal sheet.
- Protection degree IP66 - IP69K IK10.

Plus on demand

- Special dimensions.
- Implementations made of 316L (Wnr 1.4404).
- Generic or specific accessories.

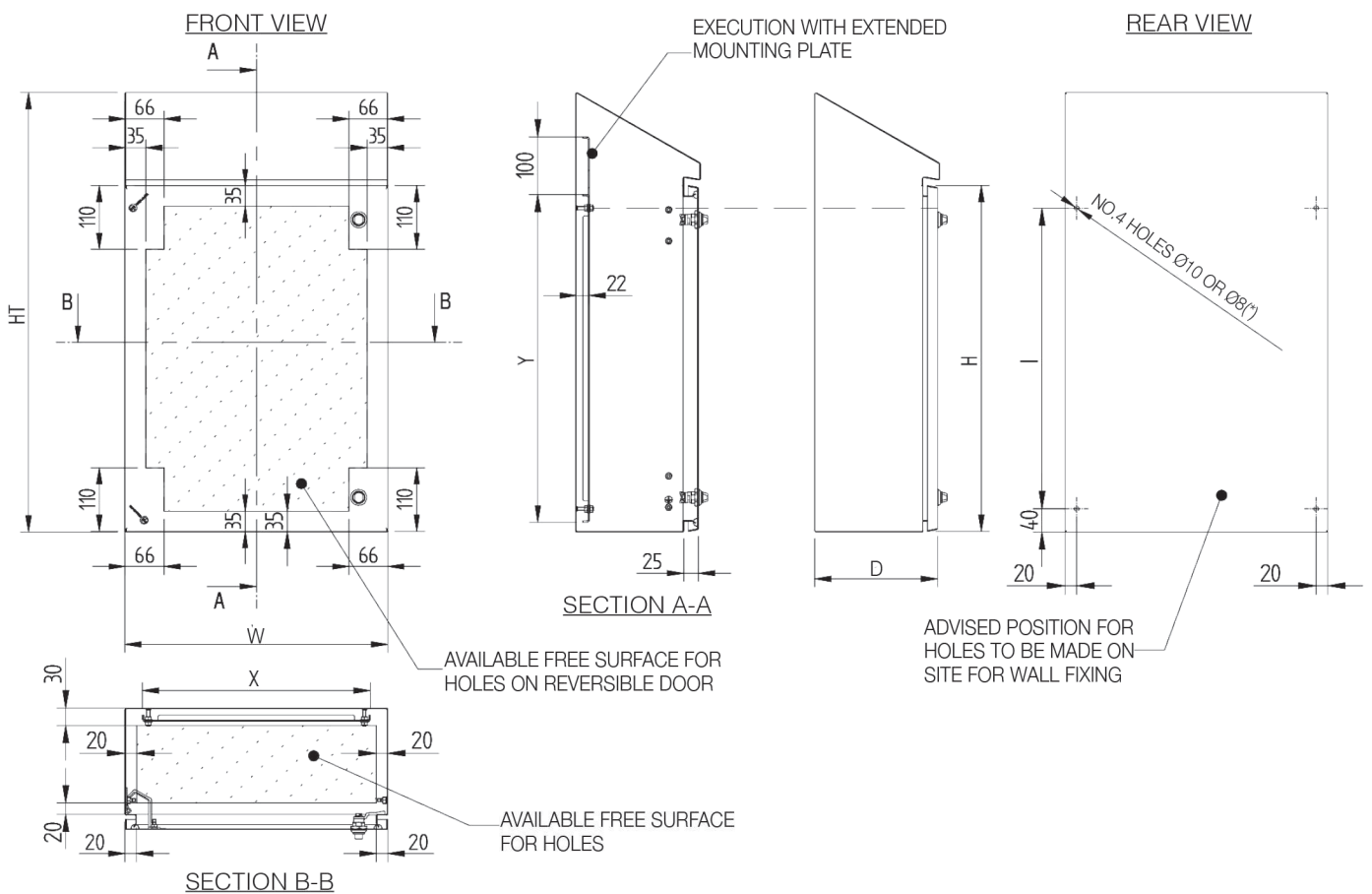
ARTICLE NUMBER	EXTERNAL DIMENSIONS				MOUNTING PLATE		FEATURES			
	W	H	D	HT	X	Y	No. LOCKING POINTS	No. SUPPORTING POINTS	No. OF HINGES	FIXING DISTANCE (I)
CHD253021	250	300	210	460	190	266	1	4	2	220
CHD383821	380	380	210	540	320	346	1	4	2	300
CHD386021	380	600	210	760	320	566	2	4	2	520
CHD454521	450	450	210	610	390	416	2	4	2	370
CHD456021	450	600	210	760	390	566	2	4	2	520
CHD606021	600	600	210	760	540	566	2	4	2	520
CHD604525	600	450	250	635	566	390	2	4	2	370
CHD606025	600	600	250	785	540	566	2	4	2	520
CHD806030	800	600	300	815	740	566	2	6	3	520
CHD808030	800	800	300	1015	740	766	2	6	3	720
CHD8010030	800	1000	300	1215	740	966	2	6	3	920
CHD8012030	800	1200	300	1415	740	1166	2	6	3	1120

VERSION WITH 1 LOCKING POINT



(*) ALONG WITH THE KIND OF ASSEMBLY OF ARTICLE CACHD013

VERSION WITH 2 LOCKING POINTS

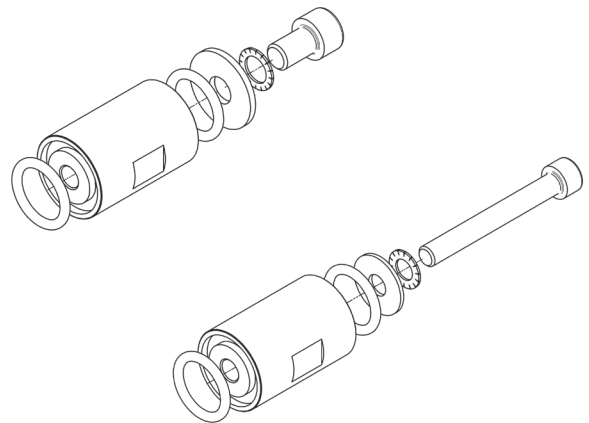


ACCESSORY

WALL FIXING KIT

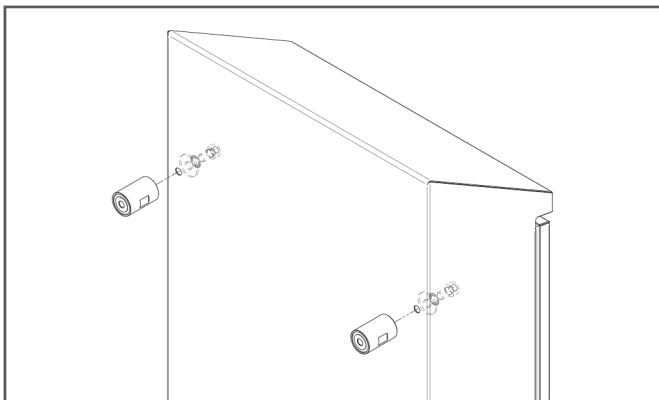
The wall fixing of the boxes has to be done by mean of the art. CACHD013, a kit consisting of 4 spacers and stainless steel screws. This is suitable for all the box sizes.

Drilling execution at customer charge.

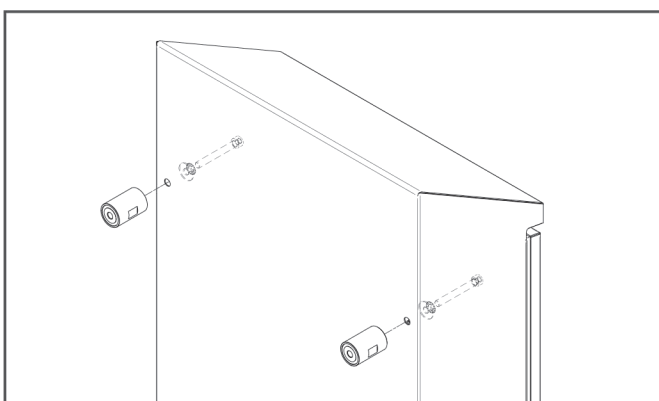


ARTICLE No.	DESCRIPTION
CACHD013	WALL FIXING KIT

DETAIL ON REAR SIDE FIXING BY MEAN OF SHORT SCREW



DETAIL ON REAR SIDE FIXING BY MEAN OF THROUGH SCREW



MPGAMMA SRL

Via Cisa Ligure, 43/A
42041 Brescello (RE) - Italy

T. +39 0522 686079

F. +39 0522 962185

info@mpgamma.com

www.mpgamma.com