



A Phoenix Mecano Company

BOLINK

New!

BOPLA
enclosures ■ content matters

BoLink



Detailed product information can be found on:
www.bopla.de



- 1 basic size
- 3 heights
- 2 colours
- 3 variants
(without wall brackets, with wall brackets,
with wall brackets and lid fixing on top)
- Design seal optional

Colour:

Black, similar to RAL 9005;
White, similar to RAL 9003;
Special colours on request

Protection class:

IP 40; with seal: IP 65 DIN EN 60529

Enclosure material:

Enclosure: PC UL 94 V0
Seal: TPE

For details see „technical information“
on www.bopla.de

The intelligent and versatile enclosure system for modern IoT sensor technology



Without wall brackets



With wall brackets (WL);
Screws on the back



With wall brackets (WL DO);
Screwing system from the front



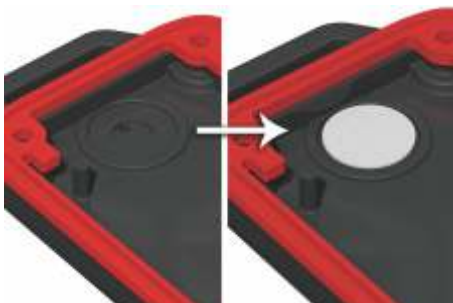
Ingress protection IP 65 by means of design seal; available in various colours. This increases the electronics mounting height by approx. 1.7mm.



A 1.6 mm thick PCB can be clamped directly between the enclosure parts and optionally hot-caulked via two pins.



Recessed membrane area (0.6 mm) in the lid and base; interfaces can be fitted on four sides.



Pressure compensation by mounting the DAE-D11 pressure compensation membrane.
For this purpose, drill (or punch) a hole in the moulded contour from the inside and glue the membrane in position.

BoLink | Enclosures

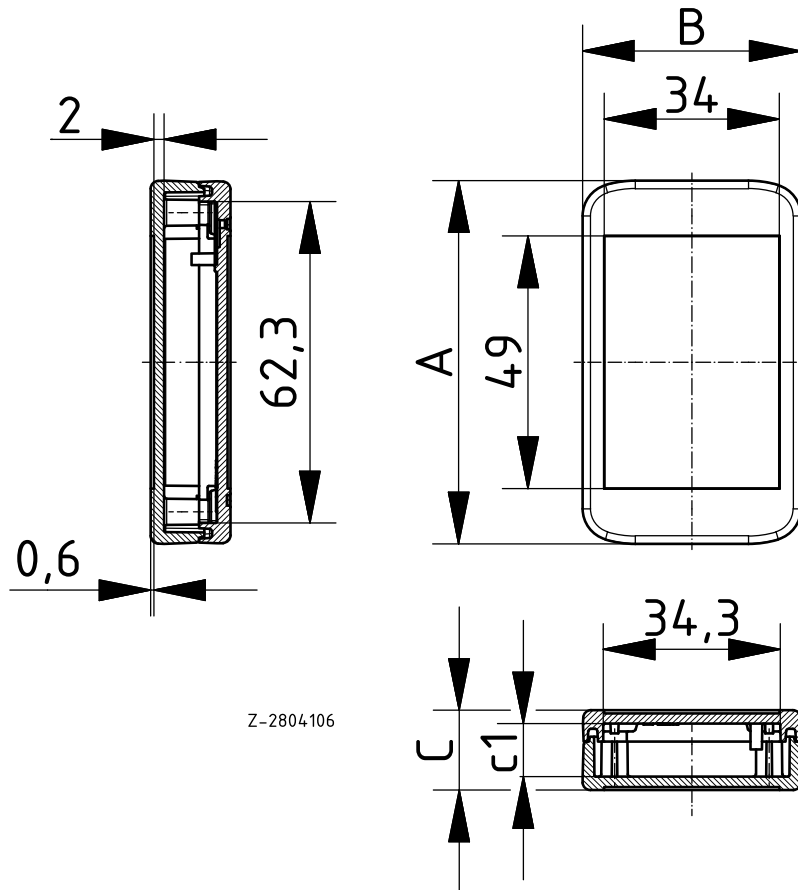


Enclosures, IP40 (IP65)

| Model | Order no. | A | B | C | c1 | Colour |
|----------------|-----------|------|------|------|------|--------|
| BL 704015-9003 | 16174303 | 70,4 | 42,4 | 15,5 | 10,3 | white |
| BL 704015-9005 | 16174305 | 70,4 | 42,4 | 15,5 | 10,3 | black |
| BL 704020-9003 | 16174403 | 70,9 | 42,9 | 22 | 16,8 | white |
| BL 704020-9005 | 16174405 | 70,9 | 42,9 | 22 | 16,8 | black |
| 704025-9003 | 16174503 | 71,2 | 43,2 | 26 | 20,8 | white |
| BL 704025-9005 | 16174505 | 71,2 | 43,2 | 26 | 20,8 | black |

Scope of delivery: Lid and base, 4 screws

Note: Upgradable to IP65 with design seal BL_DI.



BoLink | Enclosures

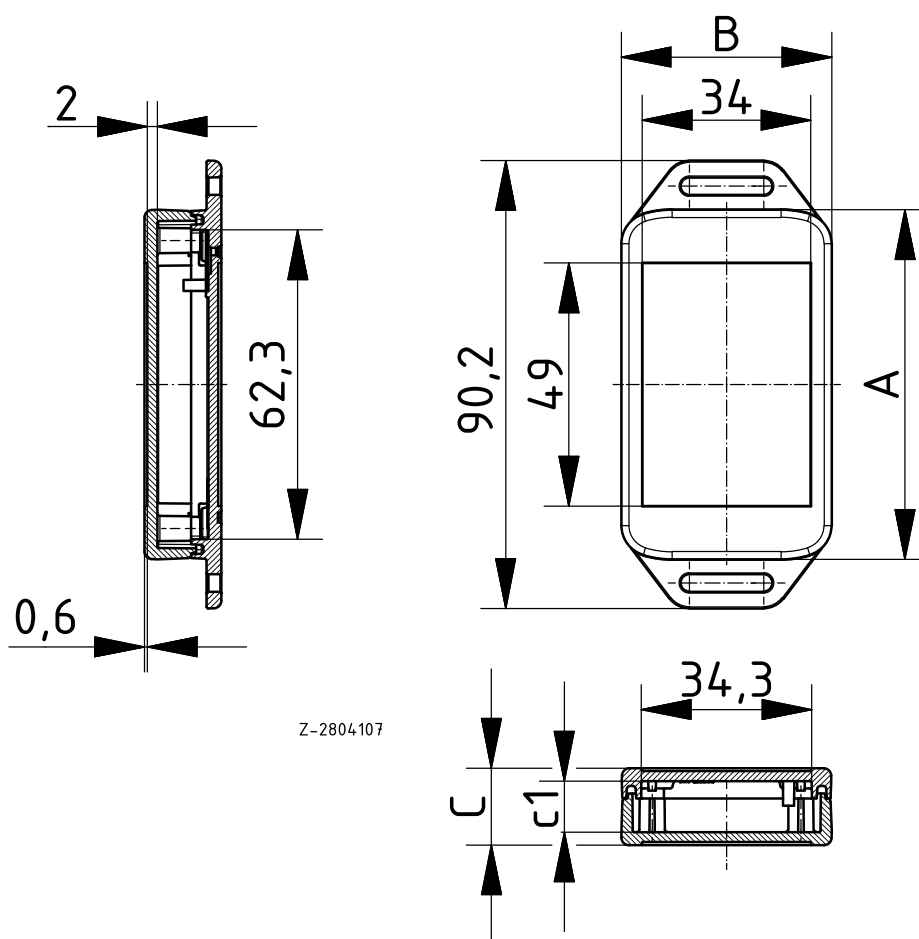
Enclosures with wall brackets, IP40 (IP65)

| Model | Order no. | A | B | C | c1 | Colour |
|--------------------|-----------|------|------|------|------|--------|
| BL 704015 WL2-9003 | 16174333 | 70,4 | 42,4 | 15,5 | 10,3 | white |
| BL 704015 WL2-9005 | 16174335 | 70,4 | 42,4 | 15,5 | 10,3 | black |
| BL 704020 WL2-9003 | 16174433 | 70,9 | 42,9 | 22 | 16,8 | white |
| BL 704020 WL2-9005 | 16174435 | 70,9 | 42,9 | 22 | 16,8 | black |
| BL 704025 WL2-9003 | 16174533 | 71,2 | 43,2 | 26 | 20,8 | white |
| BL 704025 WL2-9005 | 16174535 | 71,2 | 43,2 | 26 | 20,8 | black |



Scope of delivery: Lid and base, 4 screws

Note: Upgradable to IP65 with design seal BL_DI.



BoLink | Enclosures

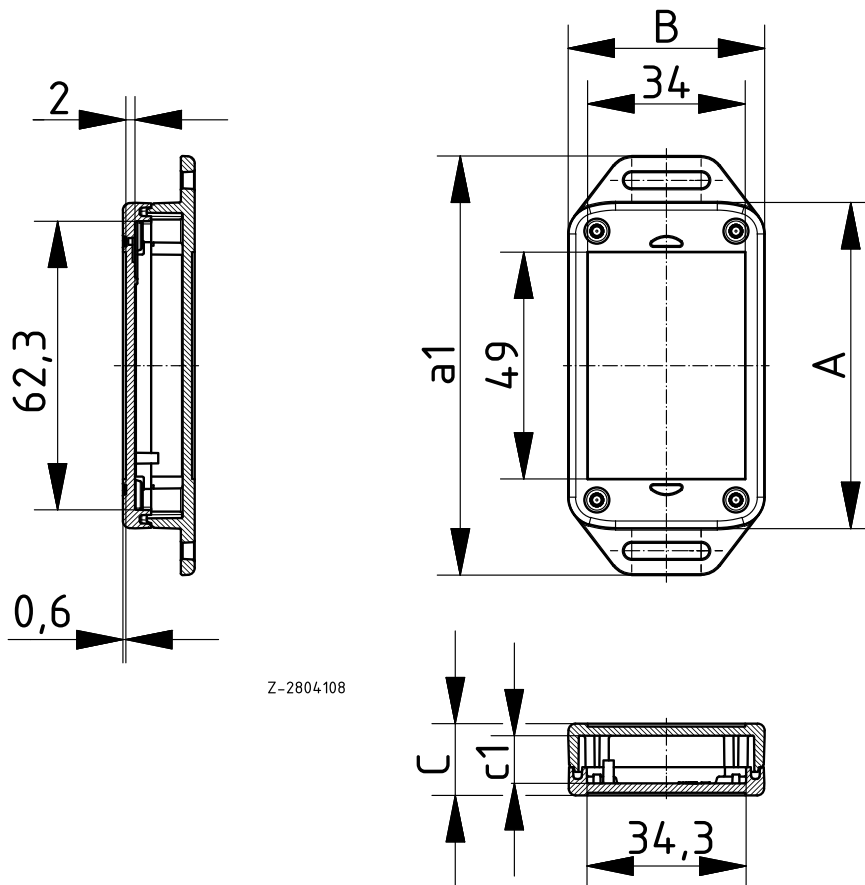


Enclosures with wall brackets and lid fixing on top, IP40 (IP65)

| Model | Order no. | A | B | C | a1 | c1 | Colour |
|-----------------------|-----------|------|------|------|------|------|--------|
| BL 704015 WL2 DO-9003 | 16174363 | 70,4 | 42,4 | 15,5 | 90,4 | 10,3 | white |
| BL 704015 WL2 DO-9005 | 16174365 | 70,4 | 42,4 | 15,5 | 90,4 | 10,3 | black |
| BL 704020 WL2 DO-9003 | 16174463 | 70,8 | 42,9 | 22 | 90,9 | 16,8 | white |
| BL 704020 WL2 DO-9005 | 16174465 | 70,8 | 42,9 | 22 | 90,9 | 16,8 | black |
| BL 704025 WL2 DO-9003 | 16174563 | 71,1 | 43,2 | 26 | 91,2 | 20,8 | white |
| BL 704025 WL2 DO-9005 | 16174565 | 71,1 | 43,2 | 26 | 91,2 | 20,8 | black |

Scope of delivery: Lid and base, 4 screws

Note: Upgradable to IP65 with design seal BL_DI.



BoLink | Accessories

Design seal, IP65

| Model | Order no. | Colour |
|-----------------|-----------|-------------|
| BL 7040 DI-9005 | 16274005 | black |
| BL 7040 DI-9003 | 16274003 | white |
| BL 7040 DI-3001 | 16274001 | signal red |
| BL 7040 DI-5005 | 16274002 | signal blue |

Scope of delivery: 5 seals



Pressure compensation membrane DAE

| Model | Order no. | Note |
|---------|-----------|--------------------------------|
| DAE-D11 | 52011000 | Self-adhesive membrane ø 11 mm |

Scope of delivery: 5 pieces



HPU

54
53
52.6
52
51
50
49
48
47
46
45
44.5
43
42
41
40
39
38
37
36
35.4
34
33
32
31
30
29
28
27
26.3
25
24
23
22
21
20
19
18
17.2
17
16
15
14
13
12
11
10
9.1
9
8
7
6
5
4
3
2
1
0.0

Bopla Gehäuse Systeme GmbH | Borsigstraße 17-25 | D-32257 Bünde
Tel. +49 (0) 5223-969-0 | Fax +49 (0) 5223-969-100
info@bopla.de | www.bopla.de



A Phoenix Mecano Company

ENGLISH - 88112801 2018/04

cm
27
26
25
24
23
22
21
20
19
18
17
16
15
14
13
12
11
10
9
8
7
6
5
4
3
2
1
0