

AluStyle



A Phoenix Mecano Company

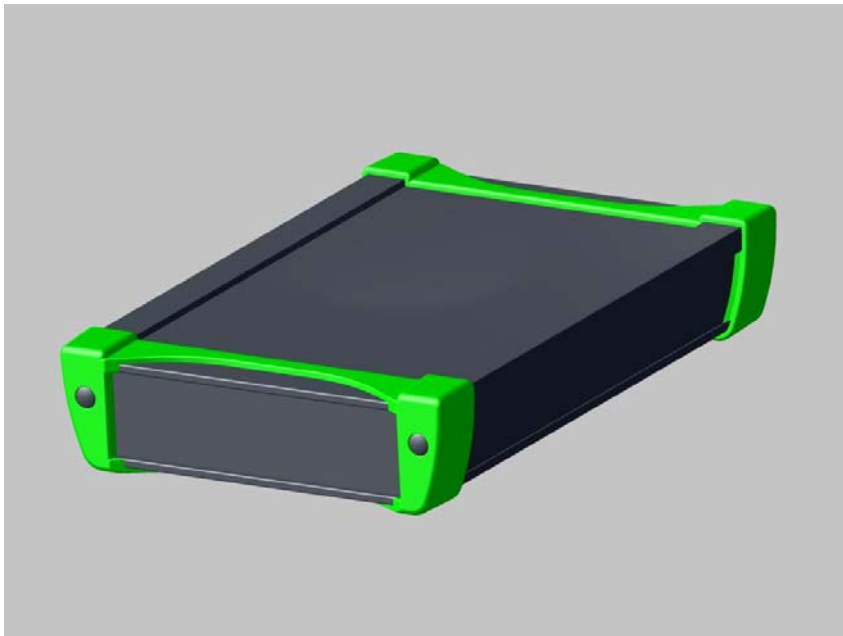
Just in time for Electronica 2008, somebody new has moved into BOPLA-City, and we would like to introduce you – **AluStyle** !

With **AluStyle**, BOPLA is adding an aluminium profile enclosure to the range of products, an enclosure concept which really stands out thanks to its high-quality design, optimised installation technology and innovative series of accessories.

AluStyle is available in 4 different profile sizes and 3 profile variants (closed, horizontally split, U-type with front panel), and as standard in the following colours: RAL 7024 (graphite grey) and RAL 9006 (silver). In addition to closed lids, there are also mounting lids with an aluminium cap or a hinged flap in the following colours: RAL 7024 and RAL 9006.

By combining the new seal colours and new types of accessories such as decor strips, the set-up foot, the tower foot or the wall mounting profiles, you can adapt **AluStyle** in the best possible way to your own individual requirements.

You will be amazed at the versatility of the new inhabitant of BOPLA-City – the ways of using **AluStyle** are only limited by your creativity.



Even when only seen on paper, **AluStyle's** impressive features and benefits for the customer are extremely appealing:

- the high-quality design makes **AluStyle** a real eye-catcher
- with its innovative and comprehensive series of accessories, **AluStyle** is ideally equipped to meet every challenge
- the **AluStyle** system groove makes it possible to create an unprecedented range of accessories
- thanks to its trapezoid shape with the recessed membrane keypad area on one side, **AluStyle** is perfect to use as a hand-held, wall-mounted, desktop or DIN rail enclosure
- continuous, evenly spaced grooves with a standard pitch and up to the inner lid wall permit optimal use of the installation area with all profile variants
- encapsulated screw channels outside the seal section provide protection up to IP 67

We are sure you will be very impressed – so please join us in looking forward to **AluStyle** !

Enclosure material: Extruded profile: Al Mg Si0.5
Die-cast lid: Zinc alloy Z 410

Colours: Profiles: graphite grey (similar to RAL 7024) and silver (similar to RAL 9006), powder-coated
Lid: graphite grey (similar to RAL 7024) and silver (similar to RAL 9006), powder-coated
Seal: dark grey

Accessories (additional price):

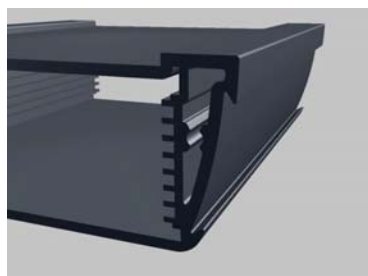
- Coloured decor strips
- Coloured seals
- Set-up foot
- Wall fitting (for AS 830, 1030 and 1230)
- Tower foot (for AS 830, 1030 and 1230)
- Impact protection seal (for ASD 1230)
- Design lid (for AS 1230)

Ingress protection: Used with ASP = IP 65 / IP 67 / DIN EN 60529*
Used with ASPH = IP 65 / DIN EN 60529
Used with ASPU = IP 40 / DIN EN 60529

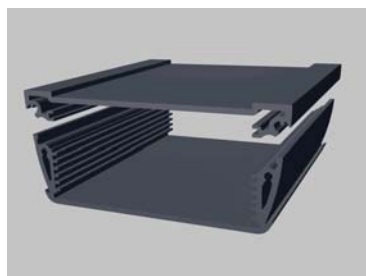
External dimensions of profile:	Model	W	H
	AS 830	74.0	32.8
	AS 1030	98.5	32.8
	AS 1230	121.0	32.8
	AS 1850	187.0	54.6

* when used with ASD

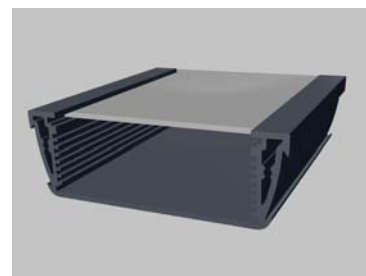
The special features of AluStyle at a glance:



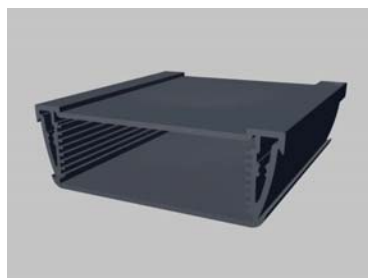
System grooves on the long sides and encapsulated screw channel outside the seal section



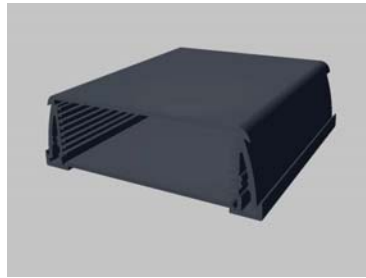
Split profile variant for better and easier assembly of electronics and other components



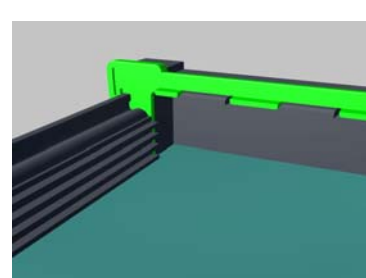
Profile for front panels for better and easier assembly of the electronics and direct PCB assembly



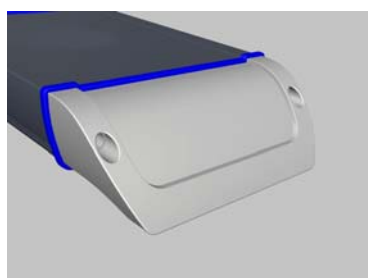
Trapezoid-shaped profile with 2 mm membrane area (for Profi-Line membrane keypad)



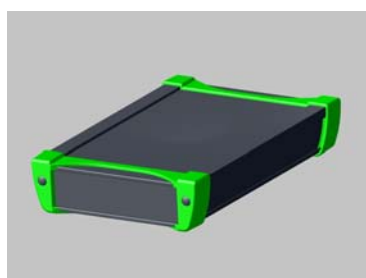
Trapezoid-shaped profile with a "smooth side" suitable for printing



All PCBs have the same external dimensions and can be positioned up to the inner lid area.



Additional design lid for size AS 1230

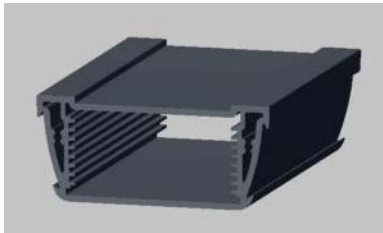


Impact protection seal for size AS 1230 (impact protection seals for AS 830 and AS 1030 are being developed)



Battery compartment solution for all ASM lids

AluStyle 830 – profiles and front panels



Profile, closed

The profiles are equipped with 7 grooves to hold PCBs or mounting panels. All PCBs have the same external dimensions and can be positioned up to the inner lid surface without notches. On the top there is a recessed area for the fitting of membrane keypads. The underside is smooth.

Profiles, closed

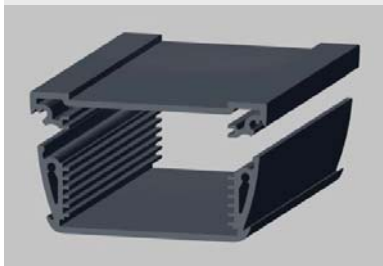
Order designation

Model	Order no.	L	W	H	Note	Protection
ASP 830-0100	94112100	100	74	32.8	Profile, closed, graphite grey	IP 65 / IP 67*
ASP 830-0100	94111100	100	74	32.8	Profile, closed, silver	IP 65 / IP 67*
ASP 830-0150	94112150	150	74	32.8	Profile, closed, graphite grey	IP 65 / IP 67*
ASP 830-0150	94111150	150	74	32.8	Profile, closed, silver	IP 65 / IP 67*
ASP 830-0200	94112200	200	74	32.8	Profile, closed, graphite grey	IP 65 / IP 67*
ASP 830-0200	94111200	200	74	32.8	Profile, closed, silver	IP 65 / IP 67*
ASP 830-1000	94112000	1000	74	32.8	Profile, closed, graphite grey	IP 65 / IP 67*
ASP 830-1000	94111000	1000	74	32.8	Profile, closed, silver	IP 65 / IP 67*

Special lengths on request

Scope of delivery: Enclosure profile

* when used with ASD



Profile, split

In comparison with the closed profile, this horizontally split version permits the fitting of elements which project through the keypad area. Both profiles are held together by a tried-and-tested snap-lock connection. The design is identical to that of the closed version.

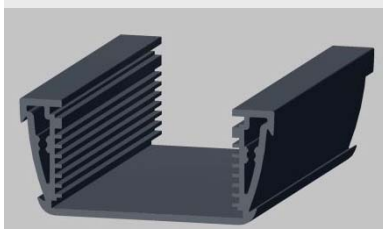
Profiles, horizontally split

Order designation

Model	Order no.	L	W	H	Note	Protection
ASPH 830-0100	94212100	100	74	32.8	Profile, split, graphite grey	IP 65
ASPH 830-0100	94211100	100	74	32.8	Profile, split, silver	IP 65
ASPH 830-0150	94212150	150	74	32.8	Profile, split, graphite grey	IP 65
ASPH 830-0150	94211150	150	74	32.8	Profile, split, silver	IP 65
ASPH 830-0200	94212200	200	74	32.8	Profile, split, graphite grey	IP 65
ASPH 830-0200	94211200	200	74	32.8	Profile, split, silver	IP 65
ASPH 830-1000	94212000	1000	74	32.8	Profile, split, graphite grey	IP 65
ASPH 830-1000	94211000	1000	74	32.8	Profile, split, silver	IP 65

Special lengths on request

Scope of delivery: Enclosure profile



Profile, for front panel

This version, which is open on one side, permits the use of front panels in a wide range of materials or pre-assembled PCBs as an operating front.

Profiles, open on one side

Order designation

Model	Order no.	L	W	H	Note	Protection
ASPU 830-0100	94312100	100	74	32.8	Profile, for front panel, graphite grey	IP 40
ASPU 830-0100	94311100	100	74	32.8	Profile, for front panel, silver	IP 40
ASPU 830-0150	94312150	150	74	32.8	Profile, for front panel, graphite grey	IP 40
ASPU 830-0150	94311150	150	74	32.8	Profile, for front panel, silver	IP 40
ASPU 830-0200	94312200	200	74	32.8	Profile, for front panel, graphite grey	IP 40
ASPU 830-0200	94311200	200	74	32.8	Profile, for front panel, silver	IP 40
ASPU 830-1000	94312000	1000	74	32.8	Profile, for front panel, graphite grey	IP 40
ASPU 830-1000	94311000	1000	74	32.8	Profile, for front panel, silver	IP 40

Special lengths on request

Scope of delivery: Enclosure profile

Please order front panels for ASPU separately.

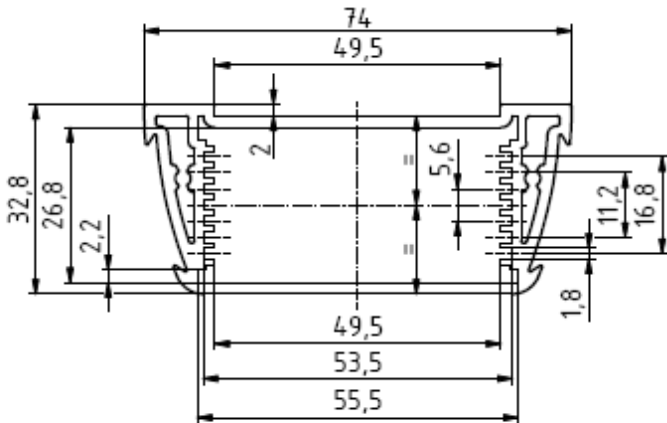
Front panels for ASPU

Order designation

Model	Order no.	L	W	T
ASPU 830-0100 FP2	94310100	100	56.5	2
ASPU 830-0150 FP2	94310150	150	56.5	2
ASPU 830-0200 FP2	94310200	200	56.5	2
ASPU 830-1000 FP2	94310000	1000	56.5	2

Scope of delivery: Front panel

ASP 830

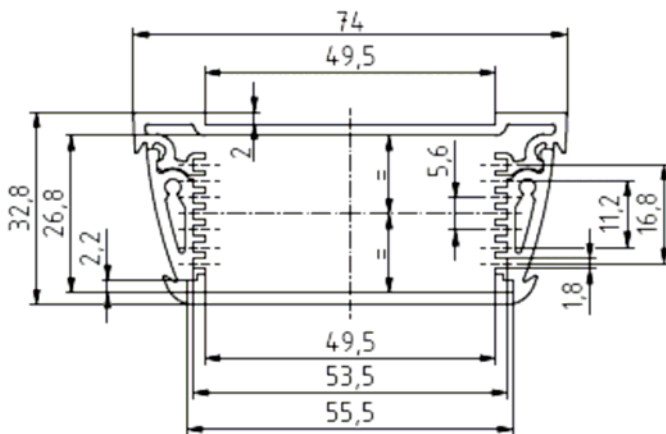


Accessories, see page 20

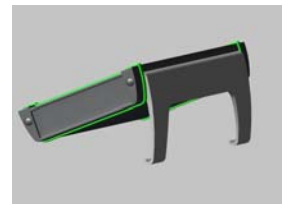
Z-2802944



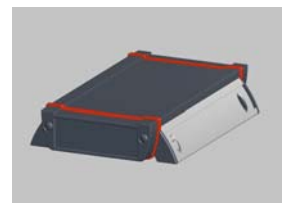
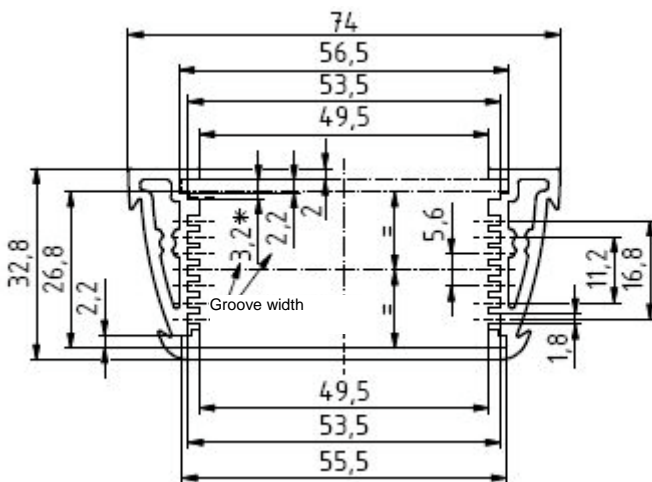
ASPH 830



Z-2802945



ASPU 830



Z-2802946

AluStyle 830 – lids and seals



End lid ASD...

The end lids are equipped with a 2 mm recessed area for fitting front membranes or membrane keypads. All lids are fitted with contact areas which contact the lid to the profile. This guarantees good EMC protection even with the standard enclosure. Black EMC seals made of metal-filled material are available for increased EMC resistance.

End lid

Order designation

Model	Order no.	Note	Protection
ASD 830-7024	94412100	End lid, graphite grey	IP 65 / IP 67
ASD 830-9006	94411100	End lid, silver	IP 65 / IP 67

Scope of delivery: lid incl. dark grey seal, screws, graphite grey screw covers



Mounting lid ASM...AL

The mounting lid has a recessed mounting area for fitting various connectors and sockets. An aluminium cap with a seal is snapped-on to achieve IP 65 protection of the assembly section.

Mounting lid with removable aluminium cap

Order designation

Model	Order no.	Note	Protection
ASM 830 AL-7024	94412400	Mounting lid, aluminium cap, graphite grey	IP 65
ASM 830 AL-9006	94411400	Mounting lid, aluminium cap, silver	IP 65

Scope of delivery: lid complete, incl. dark grey seal, screws, graphite grey screw covers



Mounting lid ASM...SAL

Identical to ASM...AL (removable cap), but with hinged aluminium flap.

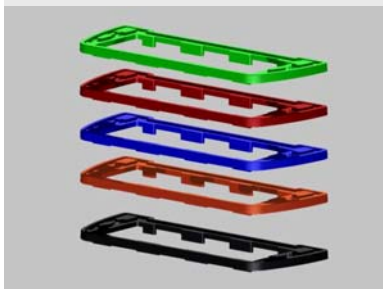
ASM SAL1 = hinged side = membrane area
 ASM SAL2 = hinged side = smooth side

Mounting lid with hinged aluminium flap

Order designation

Model	Order no.	Note	Protection
ASM 830 SAL 1-7024	94412200	Mounting lid, aluminium hinged flap, graphite grey	IP 65
ASM 830 SAL 1-9006	94411200	Hinged side = membrane side Mounting lid, aluminium hinged flap, silver	IP 65
ASM 830 SAL 2-7024	94412300	Hinged side = membrane side Mounting lid, aluminium hinged flap, graphite grey	IP 65
ASM 830 SAL 2-9006	94411300	Hinged side = smooth side Mounting lid, aluminium hinged flap, silver	IP 65
		Hinged side = smooth side	

Scope of delivery: lid complete, incl. dark grey seal, screws, graphite grey screw covers



Seals AS...DI-...

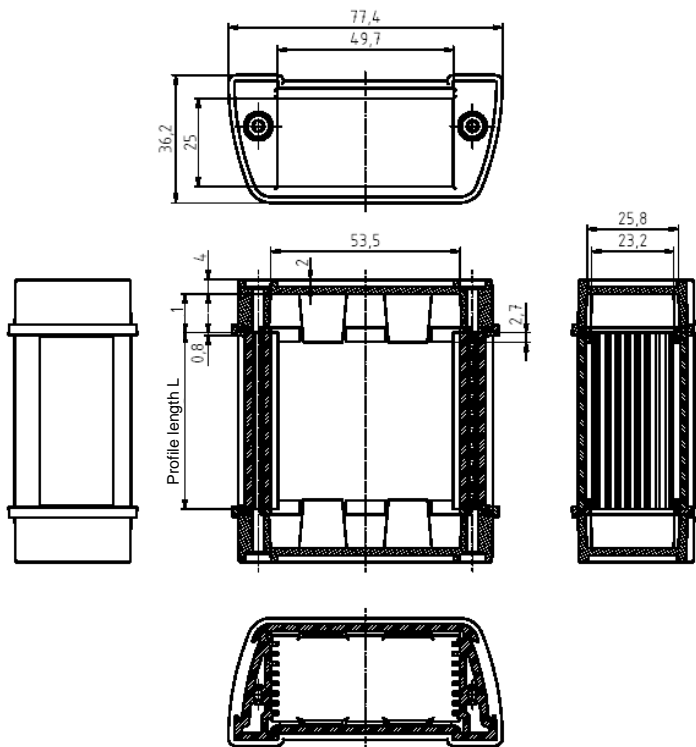
A dark grey seal is included with the lids as standard. We also supply coloured seals and an EMC seal.

Seals

Order designation

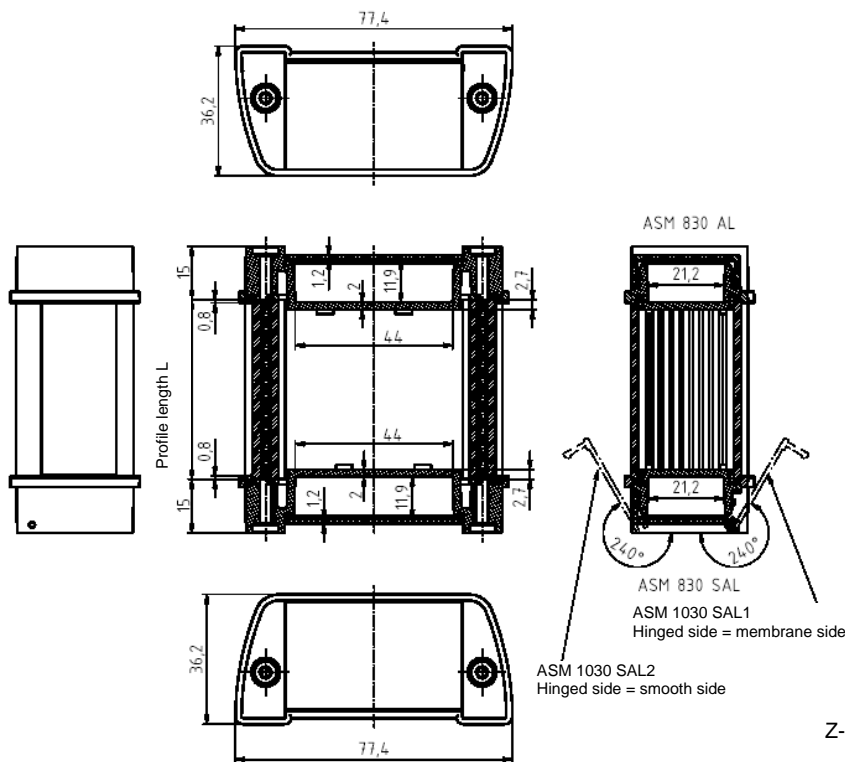
Model	Order no.	Note
AS 830 DI-green	94513000	Seal, green, PU = 10 pcs
AS 830 DI-red	94515000	Seal, red, PU = 10 pcs
AS 830 DI-blue	94514000	Seal, blue, PU = 10 pcs
AS 830 DI-orange	94516000	Seal, orange, PU = 10 pcs
AS 830 DI-EMC	94518100	EMC seal, black, PU = 10 pcs

ASD 830



Z-2802947

ASM 830

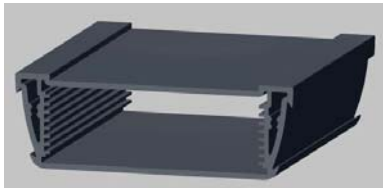


Z-2802951



ASM 830-BE
available on request (see
also page 22)

AluStyle 1030 – profiles and front panels



Profile, closed

The profiles are equipped with 7 grooves to hold PCBs or mounting panels. All PCBs have the same external dimensions and can be positioned up to the inner lid surface without notches. On the top there is a recessed area for the fitting of membrane keypads. The underside is smooth.

Profiles, closed

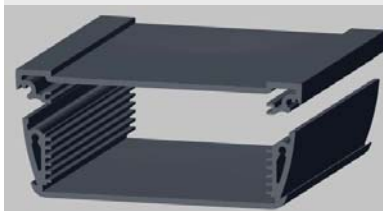
Order designation

Model	Order no.	L	W	H	Note	Protection
ASP 1030-0100	94122100	100	98.5	32.8	Profile, closed, graphite grey	IP 65 / IP 67*
ASP 1030-0100	94121100	100	98.5	32.8	Profile, closed, silver	IP 65 / IP 67*
ASP 1030-0150	94122150	150	98.5	32.8	Profile, closed, graphite grey	IP 65 / IP 67*
ASP 1030-0150	94121150	150	98.5	32.8	Profile, closed, silver	IP 65 / IP 67*
ASP 1030-0200	94122200	200	98.5	32.8	Profile, closed, graphite grey	IP 65 / IP 67*
ASP 1030-0200	94121200	200	98.5	32.8	Profile, closed, silver	IP 65 / IP 67*
ASP 1030-1000	94122000	1000	98.5	32.8	Profile, closed, graphite grey	IP 65 / IP 67*
ASP 1030-1000	94121000	1000	98.5	32.8	Profile, closed, silver	IP 65 / IP 67*

Special lengths on request

Scope of delivery: Enclosure profile

* when used with ASD



Profile, split

In comparison with the closed profile, this horizontally split version allows the fitting of elements which project through the keypad area. Both profiles are held together by a tried-and-tested snap-lock connection. The design is identical to that of the closed version.

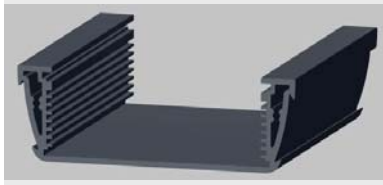
Profiles, horizontally split

Order designation

Model	Order no.	L	W	H	Note	Protection
ASPH 1030-0100	94222100	100	98.5	32.8	Profile, split, graphite grey	IP 65
ASPH 1030-0100	94221100	100	98.5	32.8	Profile, split, silver	IP 65
ASPH 1030-0150	94222150	150	98.5	32.8	Profile, split, graphite grey	IP 65
ASPH 1030-0150	94221150	150	98.5	32.8	Profile, split, silver	IP 65
ASPH 1030-0200	94222200	200	98.5	32.8	Profile, split, graphite grey	IP 65
ASPH 1030-0200	94221200	200	98.5	32.8	Profile, split, silver	IP 65
ASPH 1030-1000	94222000	1000	98.5	32.8	Profile, split, graphite grey	IP 65
ASPH 1030-1000	94221000	1000	98.5	32.8	Profile, split, silver	IP 65

Special lengths on request

Scope of delivery: Enclosure profile



Profile for front panel

This version, which is open on one side, permits the use of front panels in a wide range of materials or pre-assembled PCBs as an operating front.

Profiles, open on one side

Order designation

Modell	Order no.	L	W	H	Note	Protection
ASPU 1030-0100	94322100	100	98.5	32.8	Profile, for front panel, graphite grey	IP 40
ASPU 1030-0100	94321100	100	98.5	32.8	Profile, for front panel, silver	IP 40
ASPU 1030-0150	94322150	150	98.5	32.8	Profile, for front panel, graphite grey	IP 40
ASPU 1030-0150	94321150	150	98.5	32.8	Profile, for front panel, silver	IP 40
ASPU 1030-0200	94322200	200	98.5	32.8	Profile, for front panel, graphite grey	IP 40
ASPU 1030-0200	94321200	200	98.5	32.8	Profile, for front panel, silver	IP 40
ASPU 1030-1000	94322000	1000	98.5	32.8	Profile, for front panel, graphite grey	IP 40
ASPU 1030-1000	94321000	1000	98.5	32.8	Profile, for front panel, silver	IP 40

Special lengths on request

Scope of delivery: Enclosure profile

Please order front panels for ASPU separately.

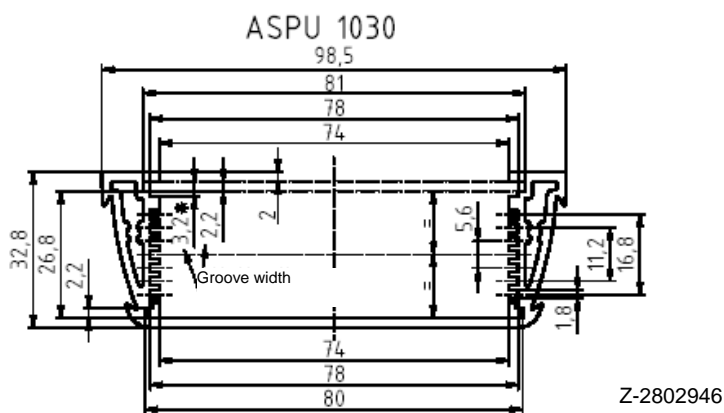
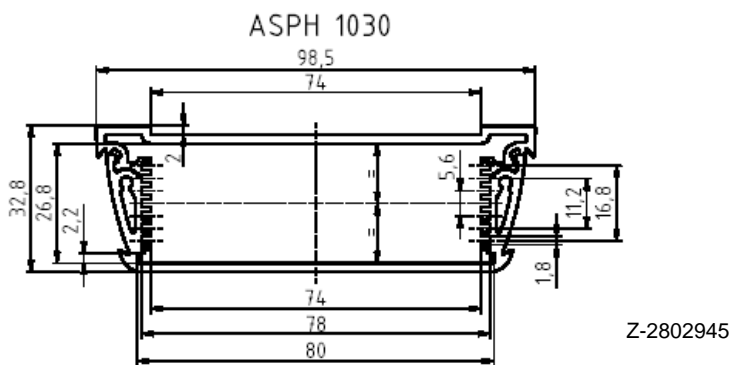
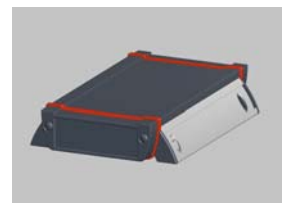
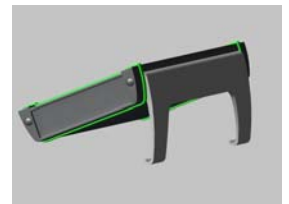
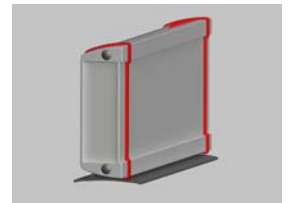
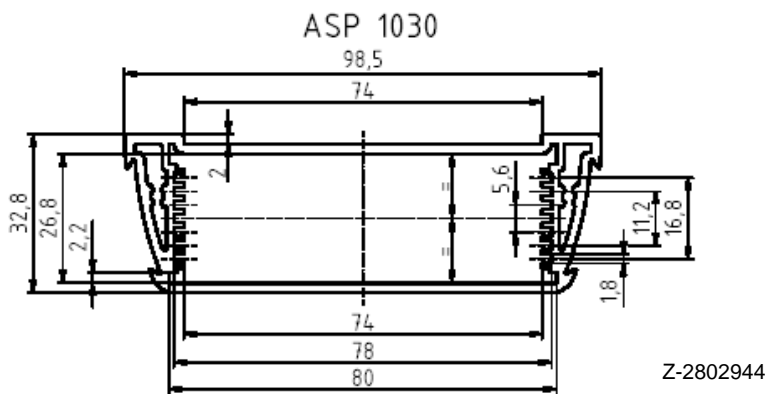
Front panels for ASPU

Order designation

Model	Order no.	L	W	T
ASPU 1030-0100 FP2	94320100	100	81	2
ASPU 1030-0150 FP2	94320150	150	81	2
ASPU 1030-0200 FP2	94320200	200	81	2
ASPU 1030-1000 FP2	94320000	1000	81	2

Scope of delivery: Front panel

Accessories, see page 20



AluStyle 1030 – lids and seals



End lid ASD...

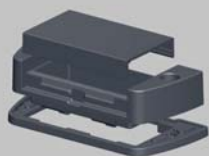
The end lids are equipped with a 2 mm recessed area for fitting front membranes or membrane keypads. All lids are fitted with contact areas which contact the lid to the profile. This guarantees good EMC protection even with the standard enclosure. Black EMC seals made of metal-filled material are available for increased EMC resistance.

End lid

Order designation

Model	Order no.	Note	Protection
ASD 1030-7024	94422100	End lid, graphite grey	IP 65 / IP 67
ASD 1030-9006	94421100	End lid, silver	IP 65 / IP 67

Scope of delivery: lid incl. dark grey seal, screws, graphite grey screw covers



Mounting lid ASM...AL

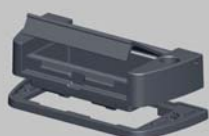
The mounting lid has a recessed mounting area for fitting various connectors and sockets. An aluminium cap with a seal is snapped-on to achieve IP 65 protection of the assembly section.

Mounting lid with removable aluminium cap

Order designation

Model	Order no.	Note	Protection
ASM 1030 AL-7024	94422400	Mounting lid, aluminium cap, graphite grey	IP 65 / IP 67
ASM 1030 AL-9006	94421400	Mounting lid, aluminium cap, silver	IP 65 / IP 67

Scope of delivery: lid complete, incl. dark grey seal, screws, graphite grey screw covers



Mounting lid ASM...SAL

Identical to ASM...AL (removable cap), but with hinged aluminium flap.

ASM SAL1 = hinged side = membrane area

ASM SAL2 = hinged side = smooth side

Mounting lid with hinged aluminium flap

Order designation

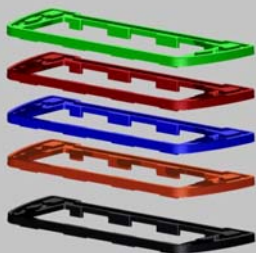
Model	Order no.	Note	Protection
ASM 1030 SAL 1-7024	94422200	Mounting lid, aluminium hinged flap, graphite grey	IP 65
ASM 1030 SAL 1-9006	94421200	Hinged side = membrane side Mounting lid, aluminium hinged flap, silver	IP 65
ASM 1030 SAL 2-7024	94422300	Hinged side = membrane side Mounting lid, aluminium hinged flap, graphite grey	IP 65
ASM 1030 SAL 2-9006	94421300	Hinged side = smooth side Mounting lid, aluminium hinged flap, silver	IP 65
		Hinged side = smooth side	

Scope of delivery: lid complete, incl. dark grey seal, screws, graphite grey screw covers

Seals

Order designation

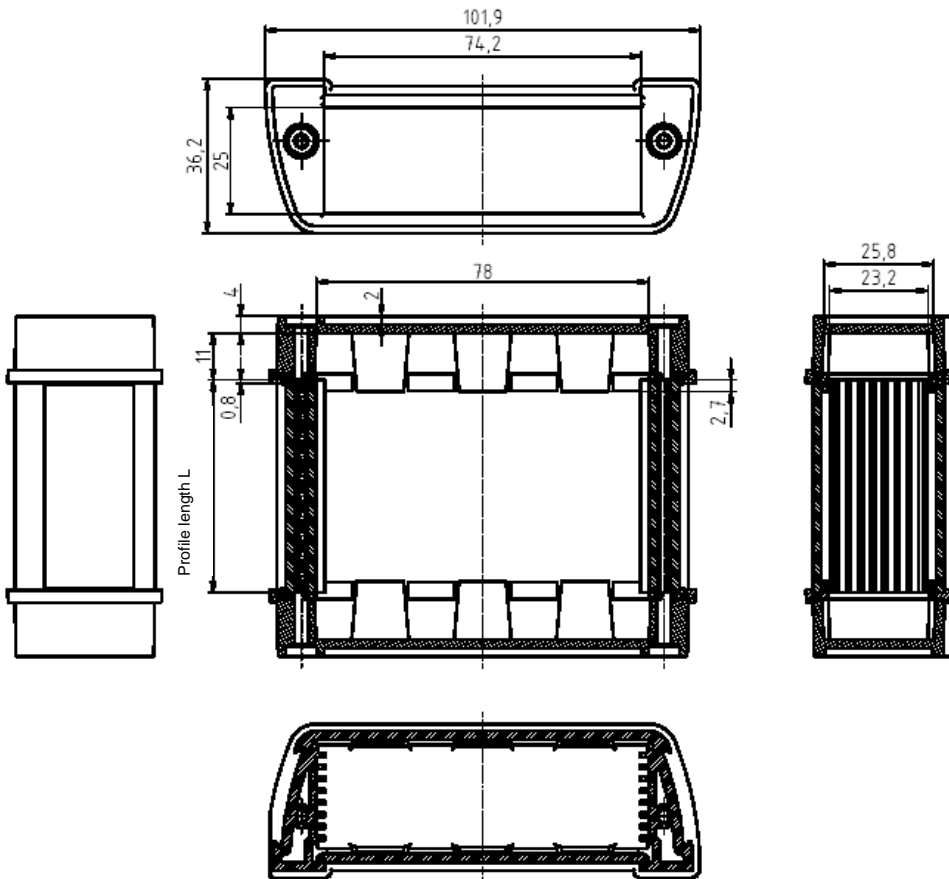
Model	Order no.	Note
AS 1030 DI-green	94523000	Seal, green, PU = 10 pcs
AS 1030 DI-red	94525000	Seal, red, PU = 10 pcs
AS 1030 DI-blue	94524000	Seal, blue, PU = 10 pcs
AS 1030 DI-orange	94526000	Seal, orange, PU = 10 pcs
AS 1030 DI-EMC	94528100	EMC seal, black, PU = 10 pcs



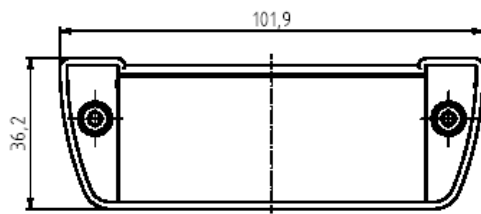
Seals AS...DI-...

A dark grey seal is included with the lids as standard. We also supply coloured seals and an EMC seal.

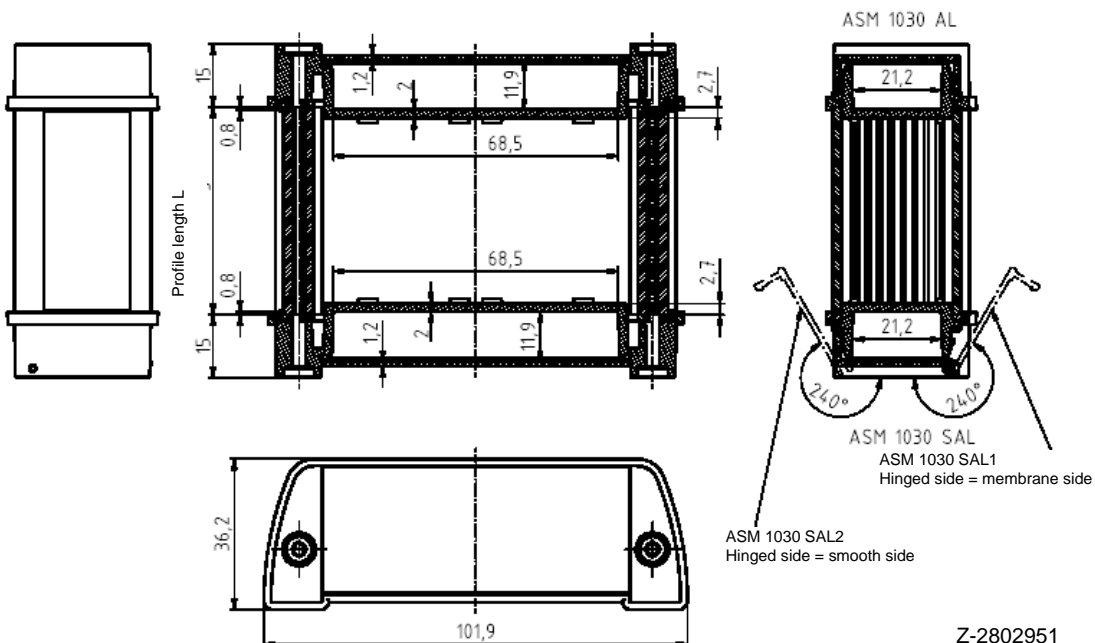
ASD 1030



Z-2802948



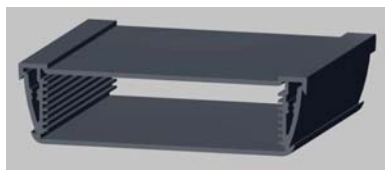
ASM 1030



Z-2802951

ASM 830-BE
available on request (see
also page 22)

AluStyle 1230 – profiles and front panels



Profile, closed

The profiles are equipped with 7 grooves to hold PCBs or mounting panels. All PCBs have the same external dimensions and can be positioned up to the inner lid surface without notches. On the top there is a recessed area for the fitting of membrane keypads. The underside is smooth.

Profiles, closed

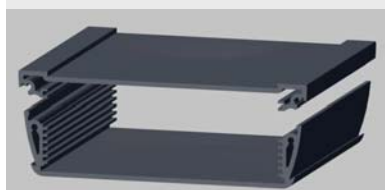
Order designation

Model	Order no.	L	W	H	Note	Protection
ASP 1230-0100	94132100	100	121	32.8	Profile, closed, graphite grey	IP 65 / IP 67*
ASP 1230-0100	94131100	100	121	32.8	Profile, closed, silver	IP 67 / IP 67 *
ASP 1230-0150	94132150	150	121	32.8	Profile, closed, graphite grey	IP 67 / IP 67 *
ASP 1230-0150	94131150	150	121	32.8	Profile, closed, silver	IP 67 / IP 67 *
ASP 1230-0200	94132200	200	121	32.8	Profile, closed, graphite grey	IP 67 / IP 67 *
ASP 1230-0200	94131200	200	121	32.8	Profile, closed, silver	IP 67 / IP 67 *
ASP 1230-1000	94132000	1000	121	32.8	Profile, closed, graphite grey	IP 67 / IP 67 *
ASP 1230-1000	94131000	1000	121	32.8	Profile, closed, silver	IP 67 / IP 67 *

Special lengths on request

Scope of delivery: Enclosure profile

* when used with ASD



Profile, split

In comparison with the closed profile, this horizontally split version allows the fitting of elements which project through the keypad area. Both profiles are held together by a tried-and-tested snap-lock connection. The design is identical to that of the closed version.

Profiles, horizontally split

Order designation

Model	Order no.	L	W	H	Note	Protection
ASPH 1230-0100	94232100	100	121	32.8	Profile, split, graphite grey	IP 65
ASPH 1230-0100	94231100	100	121	32.8	Profile, split, silver	IP 65
ASPH 1230-0150	94232150	150	121	32.8	Profile, split, graphite grey	IP 65
ASPH 1230-0150	94231150	150	121	32.8	Profile, split, silver	IP 65
ASPH 1230-0200	94232200	200	121	32.8	Profile, split, graphite grey	IP 65
ASPH 1230-0200	94231200	200	121	32.8	Profile, split, silver	IP 65
ASPH 1230-1000	94232000	1000	121	32.8	Profile, split, graphite grey	IP 65
ASPH 1230-1000	94231000	1000	121	32.8	Profile, split, silver	IP 65

Special lengths on request

Scope of delivery: Enclosure profile



Profile for front panel

This version, which is open on one side, permits the use of front panels in a wide range of materials or pre-assembled PCBs as an operating front.

Profiles, open on one side

Order designation

Model	Order no.	L	W	H	Note	Protection
ASPU 1230-0100	94332100	100	121	32.8	Profile, for front panel, graphite grey	IP 40
ASPU 1230-0100	94331100	100	121	32.8	Profile, for front panel, silver	IP 40
ASPU 1230-0150	94332150	150	121	32.8	Profile, for front panel, graphite grey	IP 40
ASPU 1230-0150	94331150	150	121	32.8	Profile, for front panel, silver	IP 40
ASPU 1230-0200	94332200	200	121	32.8	Profile, for front panel, graphite grey	IP 40
ASPU 1230-0200	94331200	200	121	32.8	Profile, for front panel, silver	IP 40
ASPU 1230-1000	94332000	1000	121	32.8	Profile, for front panel, graphite grey	IP 40
ASPU 1230-1000	94331000	1000	121	32.8	Profile, for front panel, silver	IP 40

Special lengths on request

Scope of delivery: Enclosure profile

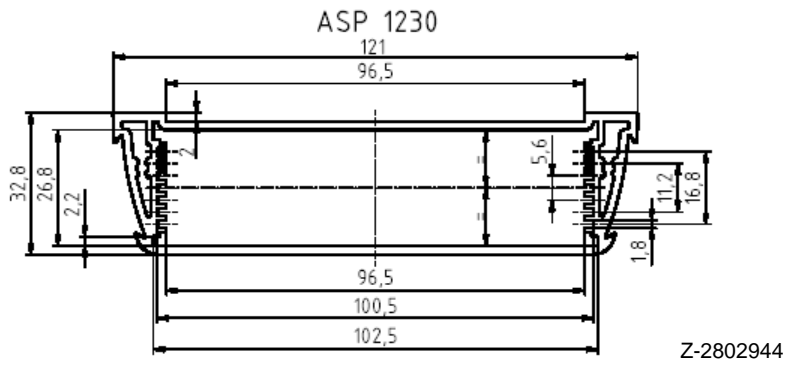
Please order front panels for ASPU separately.

Front panels for ASPU

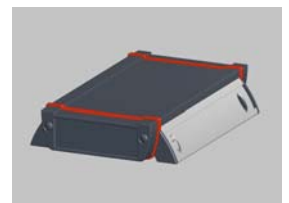
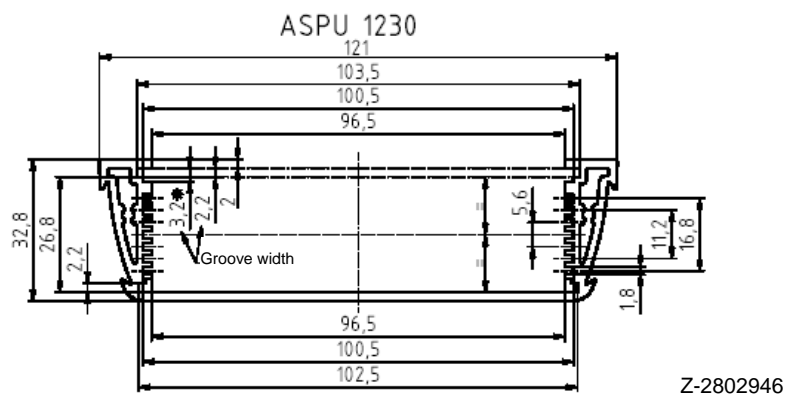
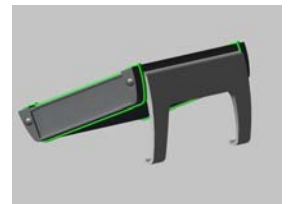
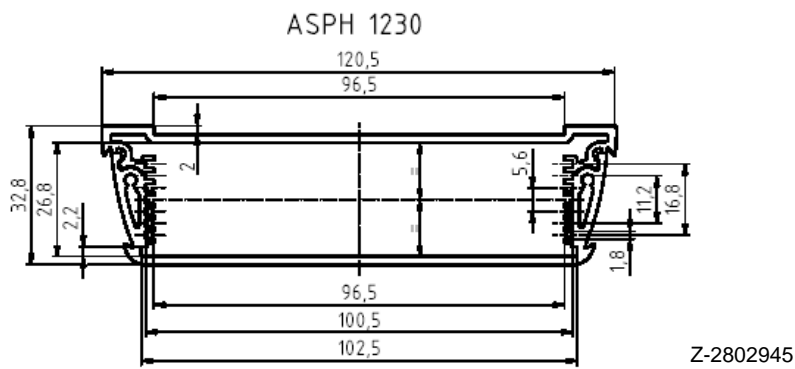
Order designation

Model	Order no.	L	W	T
ASPU 1230-0100 FP2	94330100	100	103.5	2
ASPU 1230-0150 FP2	94330150	150	103.5	2
ASPU 1230-0200 FP2	94330200	200	103.5	2
ASPU 1230-1000 FP2	94330000	1000	103.5	2

Scope of delivery: Front panel



Accessories, see page 20



AluStyle 1230 – lids and seals



End lid ASD...

The end lids are equipped with a 2 mm recessed area for fitting front membranes or membrane keypads. All lids are fitted with contact areas which contact the lid to the profile. This guarantees good EMC protection even with the standard enclosure. Black EMC seals made of metal-filled material are available for increased EMC resistance.

End lid

Order designation

Model	Order no.	Note	Protection
ASD 1230-7024	94432100	End lid, graphite grey	IP 65 / IP 67
ASD 1230-9006	94431100	End lid, silver	IP 65 / IP 67

Scope of delivery: lid incl. dark grey seal, screws, graphite grey screw covers



Mounting lid ASM...AL

The mounting lid has a recessed mounting area for fitting various connectors and sockets. An aluminium cap with a seal is snapped-on to achieve IP 65 protection of the assembly section.

Mounting lid

Order designation

Model	Order no.	Note	Protection
ASM 1230 AL-7024	94432400	Mounting lid, aluminium cap, graphite grey	up to IP 65
ASM 1230 AL-9006	94431400	Mounting lid, aluminium cap, silver	up to IP 65

Scope of delivery: lid complete, incl. dark grey seal, screws, graphite grey screw covers



Mounting lid ASM...SAL

Identical to ASM...AL (removable cap), but with hinged aluminium flap.

ASM SAL1 = hinged side = membrane area

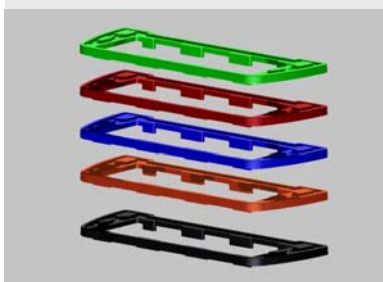
ASM SAL2 = hinged side = smooth side

Mounting lid with membrane area

Order designation

Model	Order no.	Note	Protection
ASM 1230 SAL 1-7024	94432200	Mounting lid, aluminium hinged flap, graphite grey	IP 65
ASM 1230 SAL 1-9006	94431200	Hinged side = membrane side Mounting lid, aluminium hinged flap, silver	IP 65
ASM 1230 SAL 2-7024	94432300	Hinged side = membrane side Mounting lid, aluminium hinged flap, graphite grey	IP 65
ASM 1230 SAL 2-9006	94431300	Hinged side = smooth side Mounting lid, aluminium hinged flap, silver	IP 65
		Hinged side = smooth side	

Scope of delivery: lid complete, incl. dark grey seal, screws, graphite grey screw covers



Seals AS...DI...

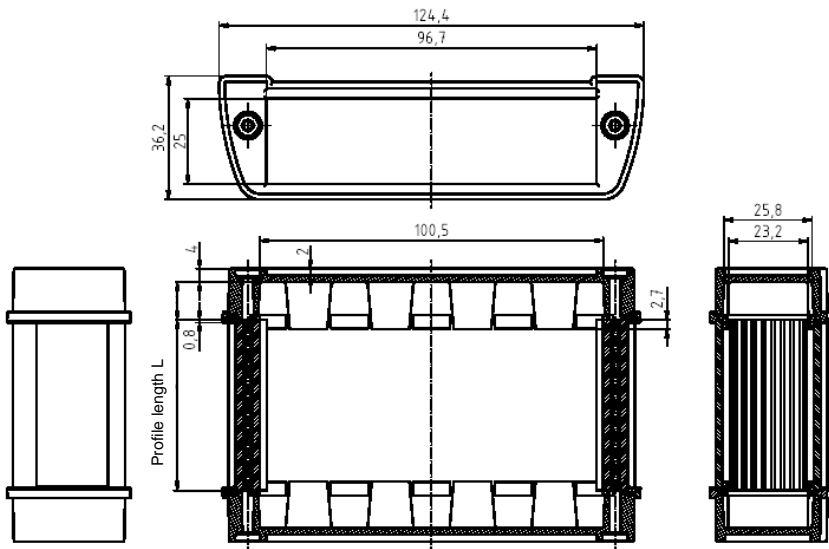
A dark grey seal is included with the lids as standard. We also supply coloured seals and an EMC seal.

Seals

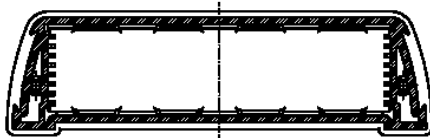
Order designation

Model	Order no.	Note
AS 1230 DI-green	94533000	Seal, green, PU = 10 pcs
AS 1230 DI-red	94535000	Seal, red, PU = 10 pcs
AS 1230 DI-blue	94534000	Seal, blue, PU = 10 pcs
AS 1230 DI-orange	94536000	Seal, orange, PU = 10 pcs
AS 1230 DI-EMC	94538100	EMC seal, black, PU = 10 pcs

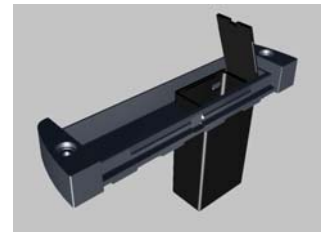
ASD 1230



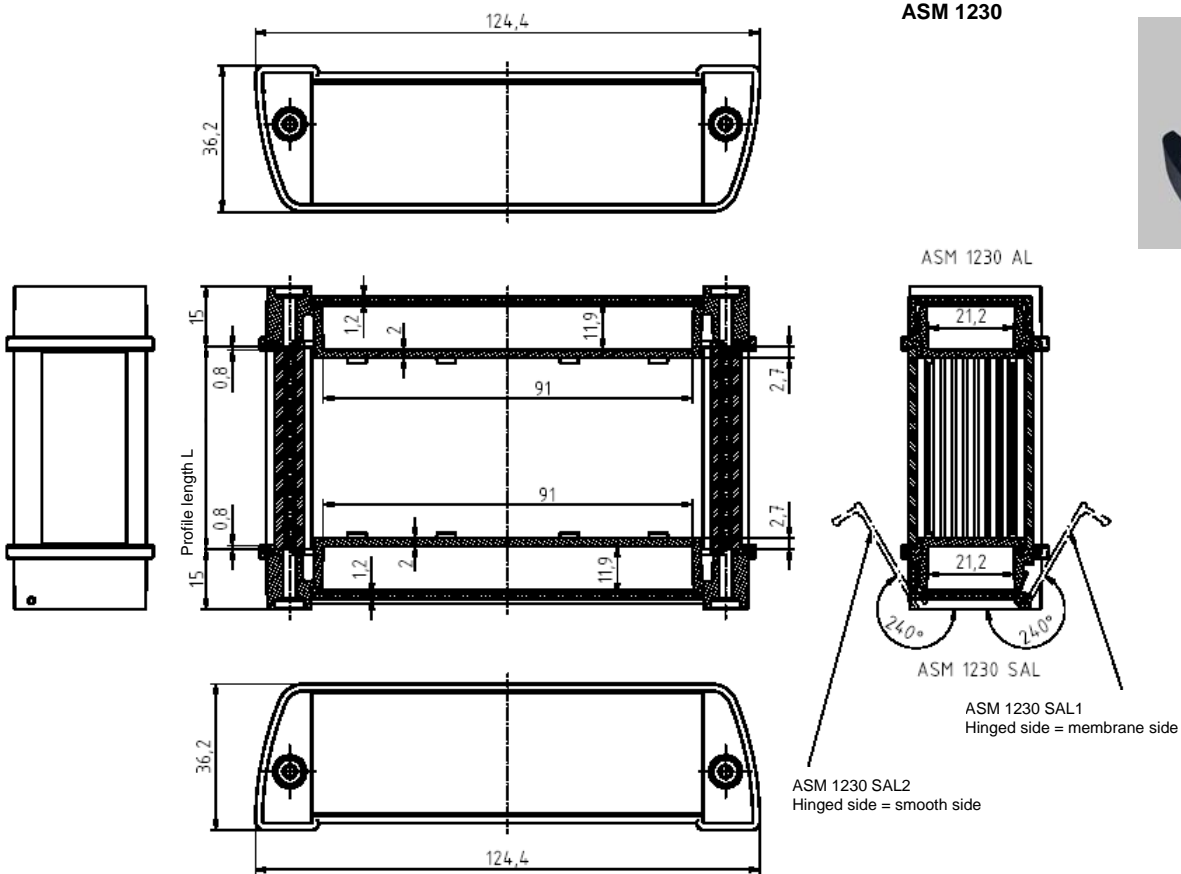
Z-2802949



ASM 1230



ASM 830-BE
available on request (see
also page 22)



Z-2802953

AluStyle 1850 – profiles and front panels



Profile, closed

The profiles are equipped with 14 grooves to hold PCBs or mounting panels. All PCBs have the same external dimensions and can be positioned up to the inner lid surface without notches. On the top there is a recessed area for the fitting of membrane keypads. The underside is smooth.

Profiles, closed

Order designation

Model	Order no.	L	W	H	Note	Protection
ASP 1850-100	94142100	100	197	54.6	Profile, closed, graphite grey	IP 65 / IP 67*
ASP 1850-100	94141100	100	197	54.6	Profile, closed, silver	IP 65 / IP 67*
ASP 1850-150	94142150	150	197	54.6	Profile, closed, graphite grey	IP 65 / IP 67*
ASP 1850-150	94141150	150	197	54.6	Profile, closed, silver	IP 65 / IP 67*
ASP 1850-200	94142200	200	197	54.6	Profile, closed, graphite grey	IP 65 / IP 67*
ASP 1850-200	94141200	200	197	54.6	Profile, closed, silver	IP 65 / IP 67*
ASP 1850-1000	94142000	1000	197	54.6	Profile, closed, graphite grey	IP 65 / IP 67*
ASP 1850-1000	94141000	1000	197	54.6	Profile, closed, silver	IP 65 / IP 67*

Special lengths on request

Scope of delivery: Enclosure profile

* when used with ASD



Profile, split

In comparison with the closed profile, this horizontally split version allows the fitting of elements which project through the keypad area. Both profiles are held together by a tried-and-tested snap-lock connection. The design is identical to that of the closed version.

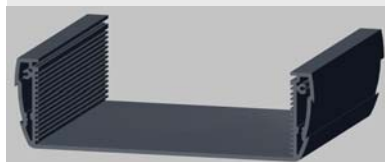
Profiles, horizontally split

Order designation

Model	Order no.	L	W	H	Note	Protection
ASPH 1850-100	94242100	100	197	54.6	Profile, split, graphite grey	IP 65
ASPH 1850-100	94241100	100	197	54.6	Profile, split, silver	IP 65
ASPH 1850-150	94242150	150	197	54.6	Profile, split, graphite grey	IP 65
ASPH 1850-150	94241150	150	197	54.6	Profile, split, silver	IP 65
ASPH 1850-200	94242200	200	197	54.6	Profile, split, graphite grey	IP 65
ASPH 1850-200	94241200	200	197	54.6	Profile, split, silver	IP 65
ASPH 1850-1000	94242000	1000	197	54.6	Profile, split, graphite grey	IP 65
ASPH 1850-1000	94241000	1000	197	54.6	Profile, split, silver	IP 65

Special lengths on request

Scope of delivery: Enclosure profile



Profile for front panel

This version, which is open on one side, permits the use of front panels in a wide range of materials or pre-assembled PCBs as an operating front.

Profiles, open on one side

Order designation

Model	Order no.	L	W	H	Note	Protection
ASPU 1850-100	94342100	100	197	54.6	Profile, for front panel, graphite grey	IP 40
ASPU 1850-100	94341100	100	197	54.6	Profile, for front panel, silver	IP 40
ASPU 1850-150	94342150	150	197	54.6	Profile, for front panel, graphite grey	IP 40
ASPU 1850-150	94341150	150	197	54.6	Profile, for front panel, silver	IP 40
ASPU 1850-200	94342200	200	197	54.6	Profile, for front panel, graphite grey	IP 40
ASPU 1850-200	94341200	200	197	54.6	Profile, for front panel, silver	IP 40
ASPU 1850-1000	94342000	1000	197	54.6	Profile, for front panel, graphite grey	IP 40
ASPU 1850-1000	94341000	1000	197	54.6	Profile, for front panel, silver	IP 40

Special lengths on request

Scope of delivery: Enclosure profile

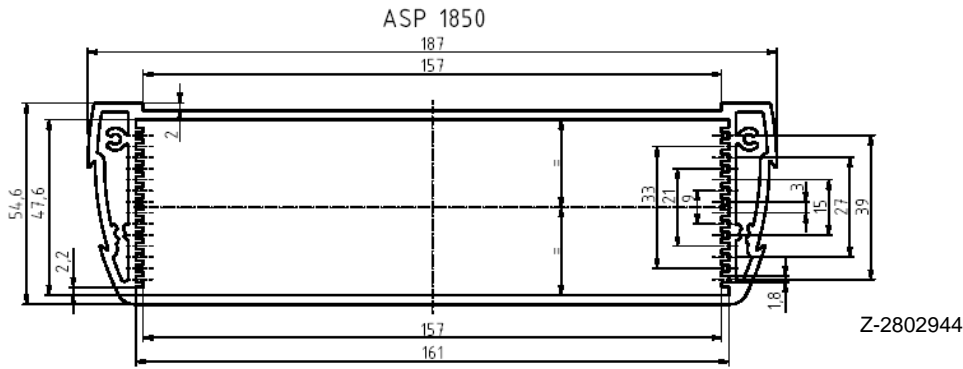
Please order front panels for ASPU separately.

Front panels for ASPU

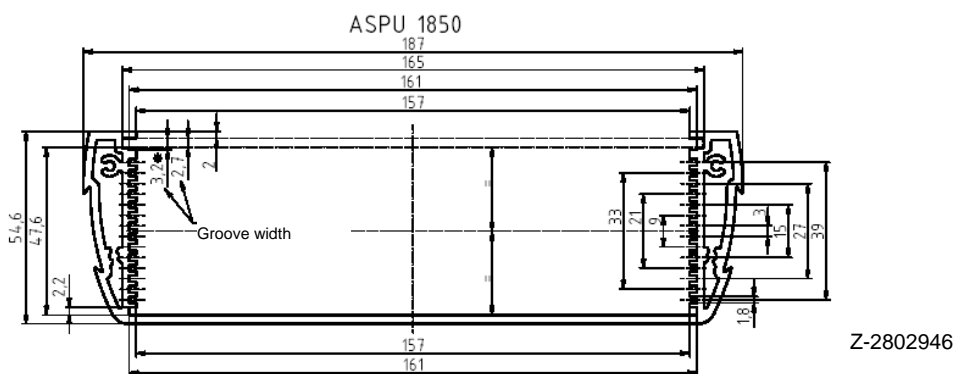
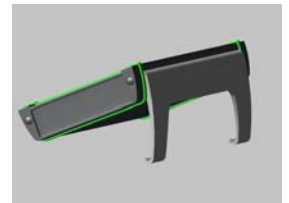
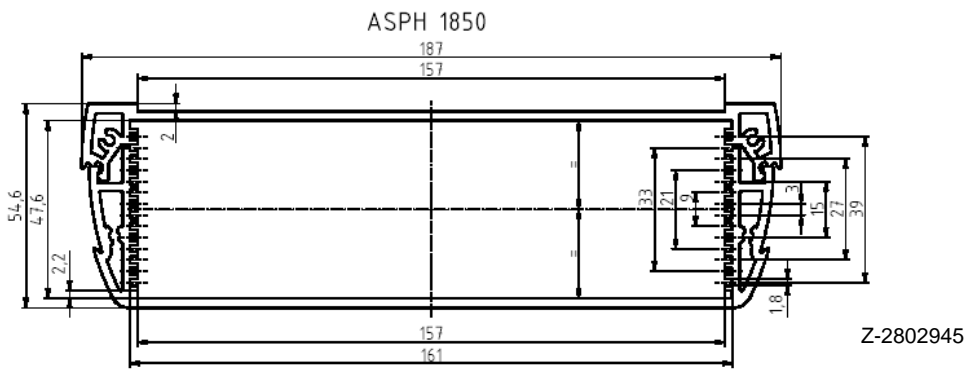
Order designation

Model	Order no.	L	W	T
ASPU 1850-0100 FP2.5	94340100	100	165	2.5
ASPU 1850-0150 FP2.5	94340150	150	165	2.5
ASPU 1850-0200 FP2.5	94340200	200	165	2.5
ASPU 1850-1000 FP2.5	94340000	1000	165	2.5

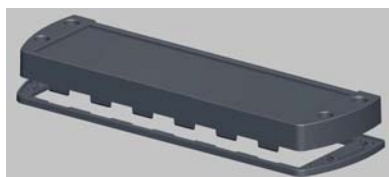
Scope of delivery: Front panel



Accessories see page 20



AluStyle 1850 – lids and seals



End lid ASD...

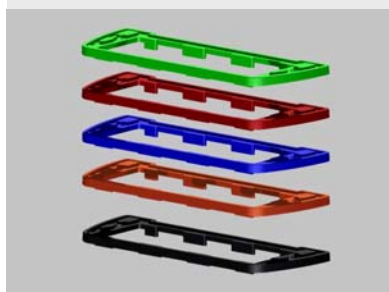
The end lids are equipped with a 2 mm recessed area for fitting front membranes or membrane keypads. All lids are fitted with contact areas which contact the lid to the profile. This guarantees good EMC protection even with the standard enclosure. Black EMC seals made of metal-filled material are available for increased EMC resistance.

End lid

Order designation

Model	Order no.	Note	Protection
ASD 1850-7024	94442100	End lid, graphite grey	IP 65 / IP 67
ASD 1850-9006	94441100	End lid, silver	IP 65 / IP 67

Scope of delivery: lid incl. dark grey seal, screws, graphite grey screw covers



Seals AS...DI...

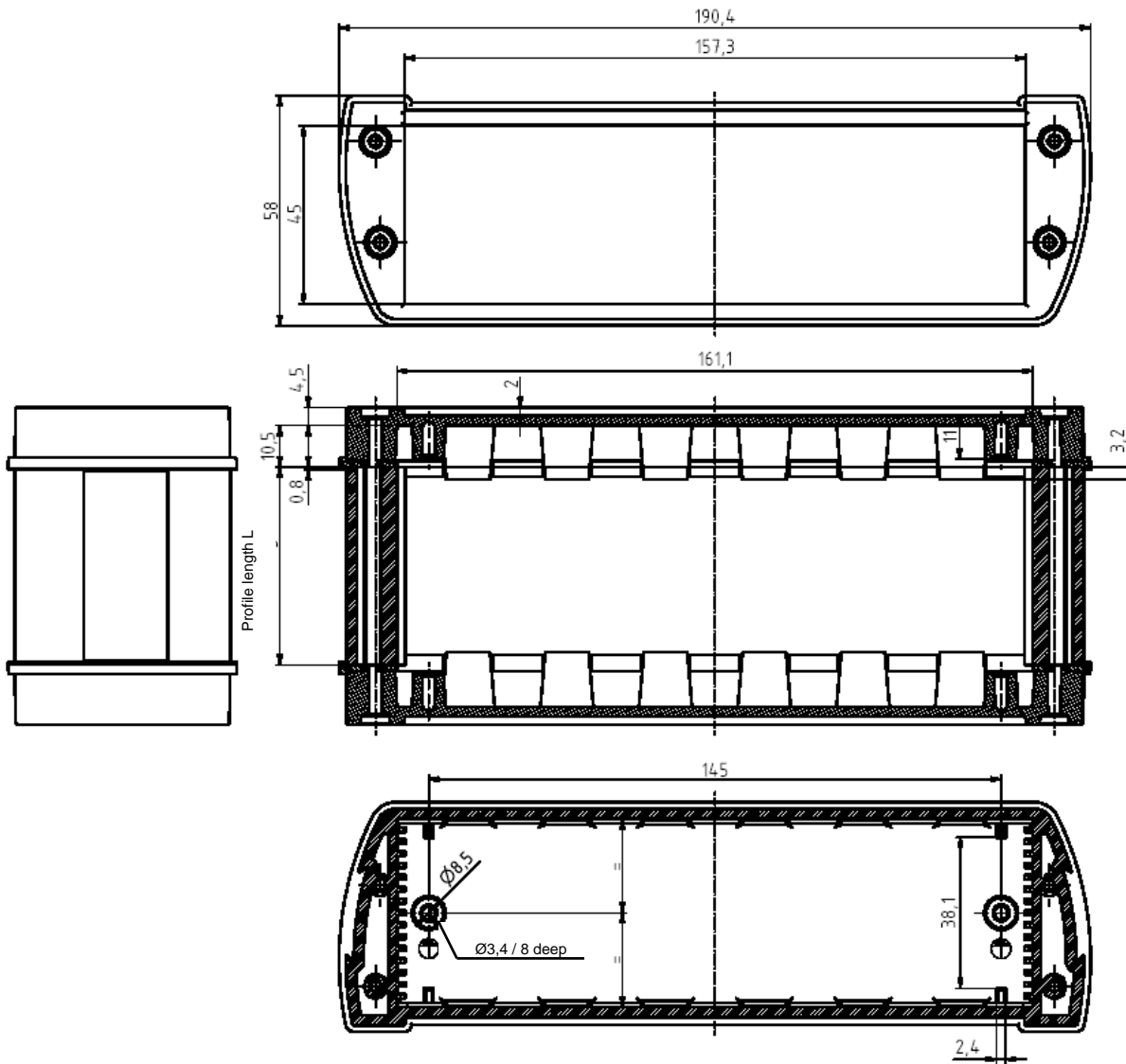
A dark grey seal is included with the lids as standard. We also supply coloured seals and an EMC seal.

Seals

Order designation

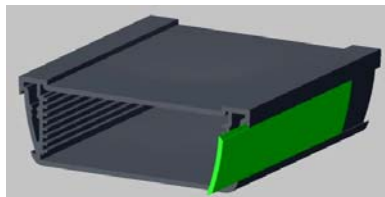
Model	Order no.	Note
AS 1850 DI-green	94543000	Seal, green, PU = 10 pcs
AS 1850 DI-red	94545000	Seal, red, PU = 10 pcs
AS 1850 DI-blue	94544000	Seal, blue, PU = 10 pcs
AS 1850 DI-orange	94546000	Seal, orange, PU = 10 pcs
AS 1850 DI-EMC	94548100	EMC seal, black, PU = 10 pcs

ASD 1850



Z-2802950

AluStyle accessories



Decor strip AS 20-... DS

The decor strip is used to give the enclosure an individual design. It is available in dark grey, green, blue, red and orange, and slots into the side system groove. The material used ensures that it is very easy to hold the profile firmly in mobile use. Other uses for the decor strips include as fill strips for tower foot AS 0030-...T... and set-up foot AS 0030-...A... and as decor strips for wall fitting AS 0030-... WB...

Decor strips

Order designation

Model	Order no.	Length	Note
AS 20-0050 DS-red	94605050	48.4	Decor strip, red
AS 20-0050 DS-green	94603050	48.4	Decor strip, green
AS 20-0050 DS-orange	94606050	48.4	Decor strip, orange
AS 20-0050 DS-blue	94604050	48.4	Decor strip, blue
AS 20-0050 DS-dark grey	94607050	48.4	Decor strip, dark grey
AS 20-0100 DS-red	94605100	98.4	Decor strip, red
AS 20-0100 DS-green	94603100	98.4	Decor strip, green
AS 20-0100 DS-orange	94606100	98.4	Decor strip, orange
AS 20-0100 DS-blue	94604100	98.4	Decor strip, blue
AS 20-0100 DS-dark grey	94607100	98.4	Decor strip, dark grey
AS 20-0150 DS-red	94605150	148.4	Decor strip, red
AS 20-0150 DS-green	94603150	148.4	Decor strip, green
AS 20-0150 DS-orange	94606150	148.4	Decor strip, orange
AS 20-0150 DS-blue	94604150	148.4	Decor strip, blue
AS 20-0150 DS-dark grey	94607150	148.4	Decor strip, dark grey
AS 20-0200 DS-red	94605200	198.4	Decor strip, red
AS 20-0200 DS-green	94603200	198.4	Decor strip, green
AS 20-0200 DS-orange	94606200	198.4	Decor strip, orange
AS 20-0200 DS-blue	94604200	198.4	Decor strip, blue
AS 20-0200 DS-dark grey	94607200	198.4	Decor strip, dark grey



Wall fitting AS 0030- ... WB

The wall fitting is supplied as standard with the side covers and is designed to ensure that the screw holes can be closed by means of the standard decor strips. It is available for standard lengths 100 mm, 150 mm and 200 mm for profile sizes AS 830, AS 1030 and AS 1230.

Wall fitting

Order designation

Model	Order no.	Note
AS 0030-0100 WB-7024	94772100	Wall fitting for profile length 100 mm, graphite grey
AS 0030-0100 WB-9006	94771100	Wall fitting for profile length 100 mm, silver
AS 0030-0150 WB-7024	94772150	Wall fitting for profile length 150 mm, graphite grey
AS 0030-0150 WB-9006	94771150	Wall fitting for profile length 150 mm, silver
AS 0030-0200 WB-7024	94772200	Wall fitting for profile length 200 mm, graphite grey
AS 0030-0200 WB-9006	94771200	Wall fitting for profile length 200 mm, silver

Scope of delivery: 10 decor strips

Scope of delivery: 2 wall fittings, 4 covers graphite grey

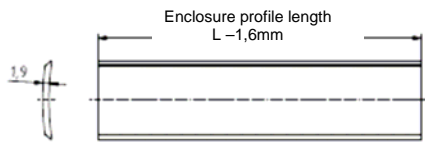
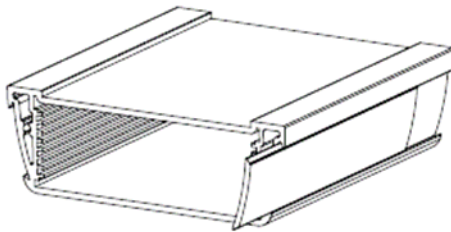
Coloured covers for wall fitting

Order designation

Model	Order no.	Note
AS 0030 AK-WB-red	94785000	Covers for wall fitting, red
AS 0030 AK-WB-green	94783000	Covers for wall fitting, green
AS 0030 AK-WB-orange	94786000	Covers for wall fitting, orange
AS 0030 AK-WB-blue	94784000	Covers for wall fitting, blue

Scope of delivery: 4 covers

AS 20-0000 DS-...

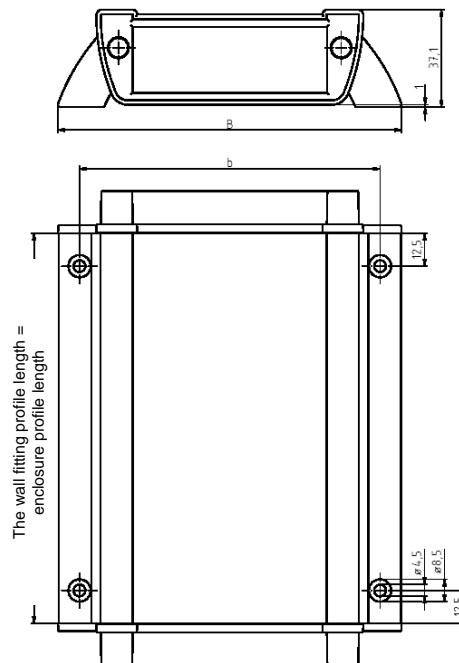
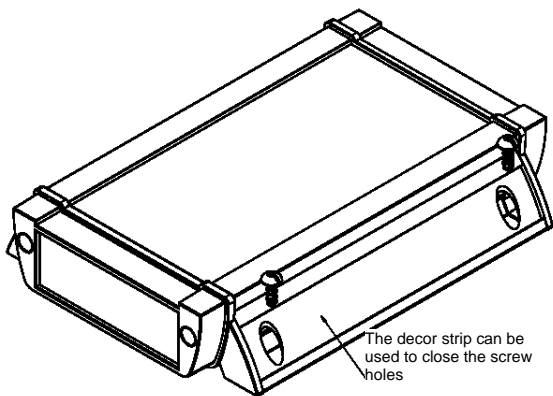


Z-280295



Customer-specific printed designation strips made of foil are available on request

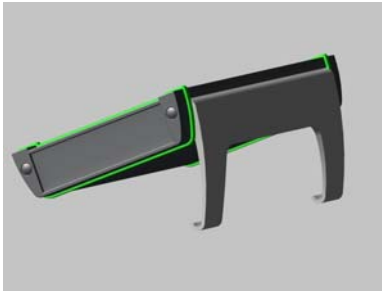
AS 0030-...WB-...



Model	B	b
AS 830	106,6	90,2
AS 1030	131,1	114,7
AS 1230	153,6	137,2

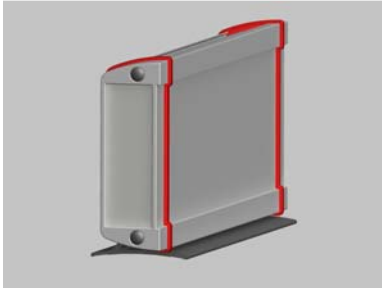
Z-2802957

AluStyle accessories



Set-up foot AS 0030- ... A

A set-up foot has been designed to permit the enclosure to be set up from the side. It is available in three standard lengths: 100 mm, 150 mm and 200 mm. In addition to the standard lengths, we can also supply 25 mm profile sections. In this case, a decor strip is needed to fill the groove gap.



Tower foot AS 0030- ... T

The tower foot is used to stand the enclosure on its edge. It can be used in three standard lengths of 100 mm, 150 mm and 200 mm in conjunction with profile sizes AS 830, AS 1030 and AS 1230. In addition to the standard lengths, we can also supply 25 mm profile sections. In this case, a decor strip is needed to fill the groove gap.



ASM ... BE

Battery compartments for 1x9V block batteries are available on request as an option for sizes AS 830, 1030 and 1230. In order to permit insertion of the battery compartment, a contour must be milled in the mounting lid. 1 or 2 battery compartments can be inserted, depending on the size.

Set-up foot

Order designation Model

Order no.

Note

AS 0030-0025 A-7024	94752025	Set-up foot, length 25 mm, graphite grey*
AS 0030-0025 A-9006	94751025	Set-up foot, length 25 mm, silver*
AS 0030-0100 A-7024	94752100	Set-up foot for profile length 100 mm, graphite grey
AS 0030-0100 A-9006	94751100	Set-up foot for profile length 100 mm, silver
AS 0030-0150 A-7024	94752150	Set-up foot for profile length 150 mm, graphite grey
AS 0030-0150 A-9006	94751150	Set-up foot for profile length 150 mm, silver
AS 0030-0200 A-7024	94752200	Set-up foot for profile length 200 mm, graphite grey
AS 0030-0200 A-9006	94751200	Set-up foot for profile length 200 mm, silver

Scope of delivery: 1 set-up foot

* Scope of delivery: 2 set-up feet

Tower foot

Order designation Model

Order no.

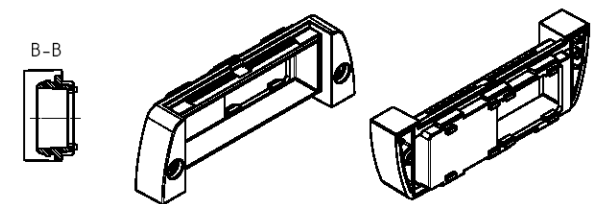
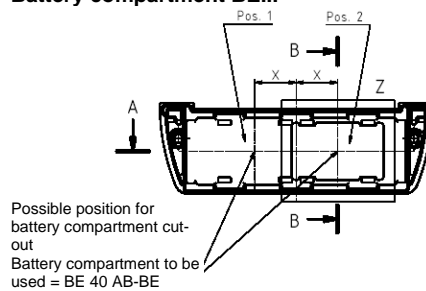
Note

AS 0030-0025 T-7024	94762025	Tower foot, length 25 mm, graphite grey*
AS 0030-0025 T-9006	94761025	Tower foot, length 25 mm, silver*
AS 0030-0100 T-7024	94762100	Tower foot for profile length 100 mm, graphite grey
AS 0030-0100 T-9006	94761100	Tower foot for profile length 100 mm, silver
AS 0030-0150 T-7024	94762150	Tower foot for profile length 150 mm, graphite grey
AS 0030-0150 T-9006	94761150	Tower foot for profile length 150 mm, silver
AS 0030-0200 T-7024	94762200	Tower foot for profile length 200 mm, graphite grey
AS 0030-0200 T-9006	94761200	Tower foot for profile length 200 mm, silver

Scope of delivery: 1 tower foot

* Scope of delivery: 2 tower feet

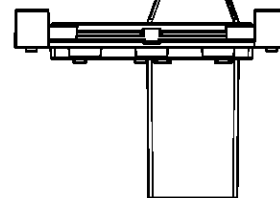
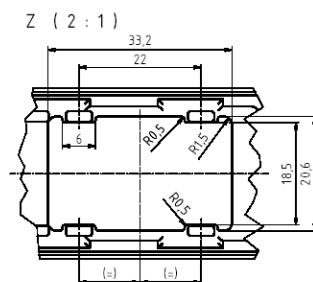
Battery compartment BE...

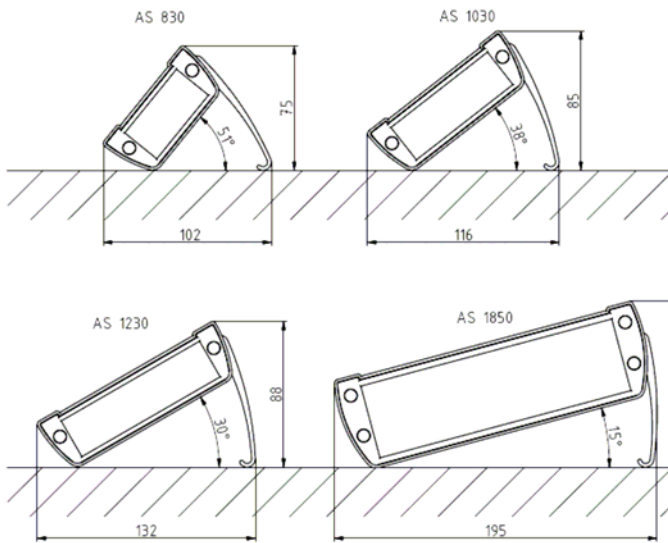


Model	X	Pos. 1	Pos. 2
ASM 830	2,65	yes	no
ASM 1030	14,9	yes	or yes
ASM 1230	26,15	yes	and/or yes

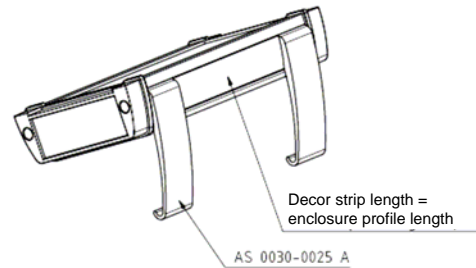
Insert the battery compartment from above into the cut-out. The battery compartment position can be selected „to the centre“ or „outwards“, as required.

to the centre outwards

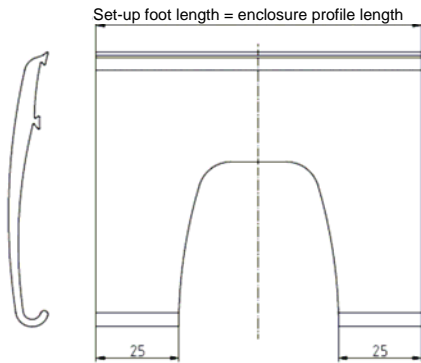




AS 0030-... A

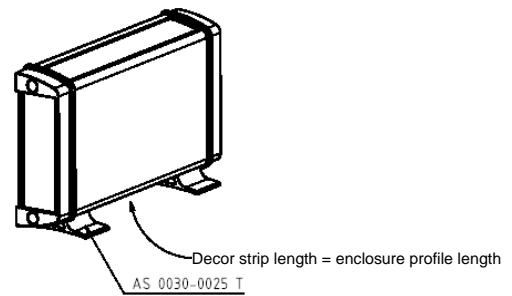
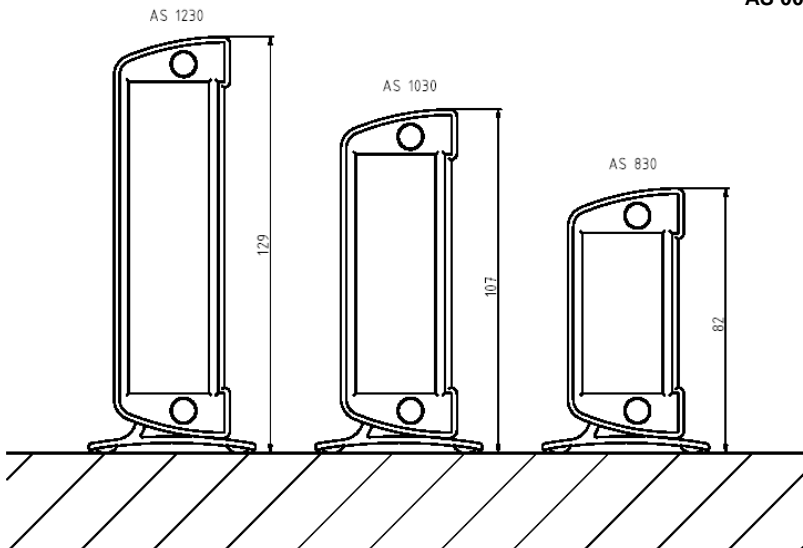


If the AS 0030-025 A is used, the system groove must be covered with the appropriate decor strip

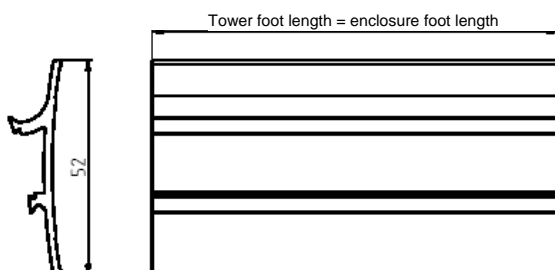


Z-2802955

AS 0030-... T

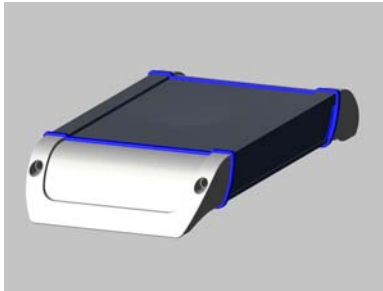


If the AS 0030-025 T is used, the System groove must be covered with the appropriate decor strip



Z-2802956

AluStyle accessories



Design lid ASD 1230 D-...

The design lid ASD 1230 D-... is available in 2 colours and can be used as an alternative to the following lids:
 ASD 1230-...,
 ASM 1230 AL-...,
 ASM 1230 SAL 1-...
 and ASM 1230 SAL 2-...

Design lid

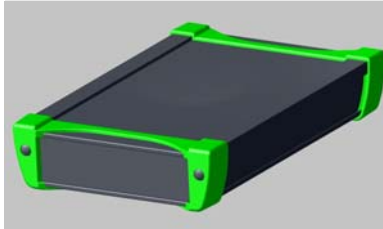
Order designation Model

Order no.

Note

ASD 1230 D-7024	94432600	Design lid for profile size 1230, graphite grey
ASD 1230 D-9006	94431600	Design lid for profile size 1230, silver

Scope of delivery: lid incl. dark grey seal, screws, graphite grey screw covers



Impact protection seal AS 1230 DI-S

The impact protection seal was developed for use in rough environments. It encloses the ASD lid and protects it against damage.

Impact protection seal for ASD...

Order designation Model

Order no.

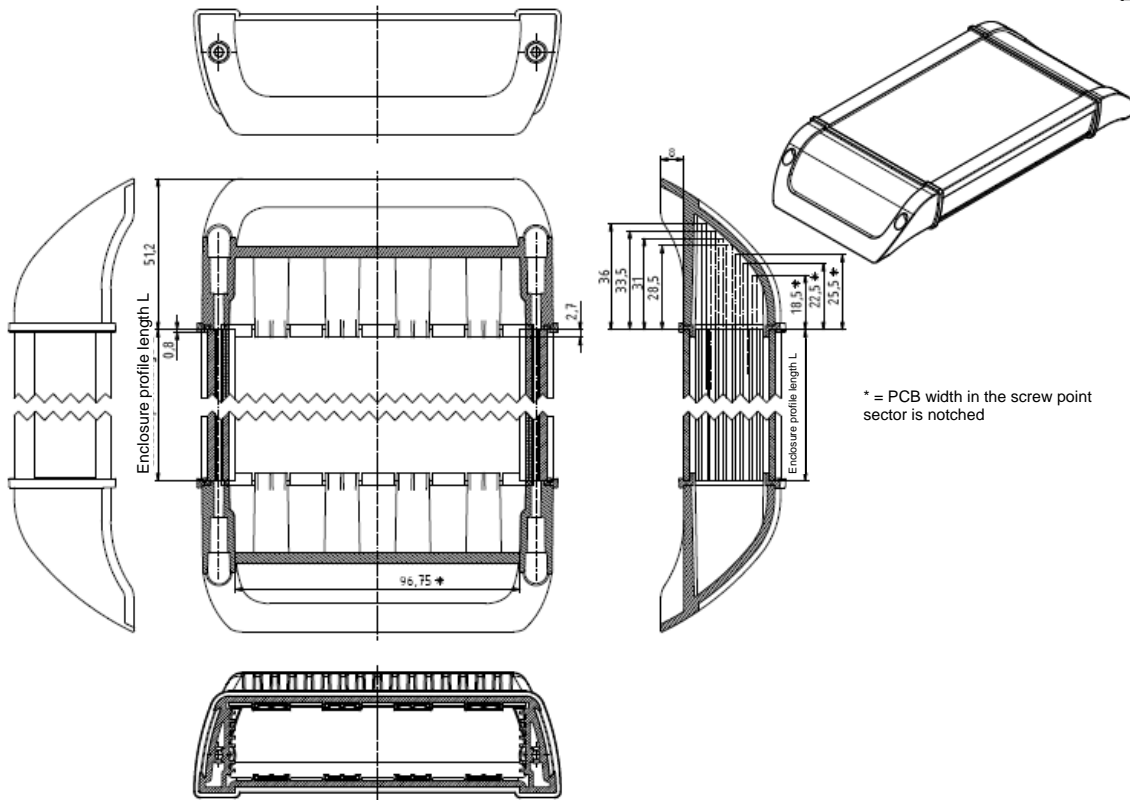
Note

AS 1230 DI-S-red	94535200	Impact protection seal for ASD 1230, red
AS 1230 DI-S-green	94533200	Impact protection seal for ASD 1230, green
AS 1230 DI-S-orange	94536200	Impact protection seal for ASD 1230, orange
AS 1230 DI-S-blue	94534200	Impact protection seal for ASD 1230, blue
AS 1230 DI-S-dark grey	94537200	Impact protection seal for ASD 1230, dark grey

Scope of delivery: 1 impact protection seal, graphite grey screw covers

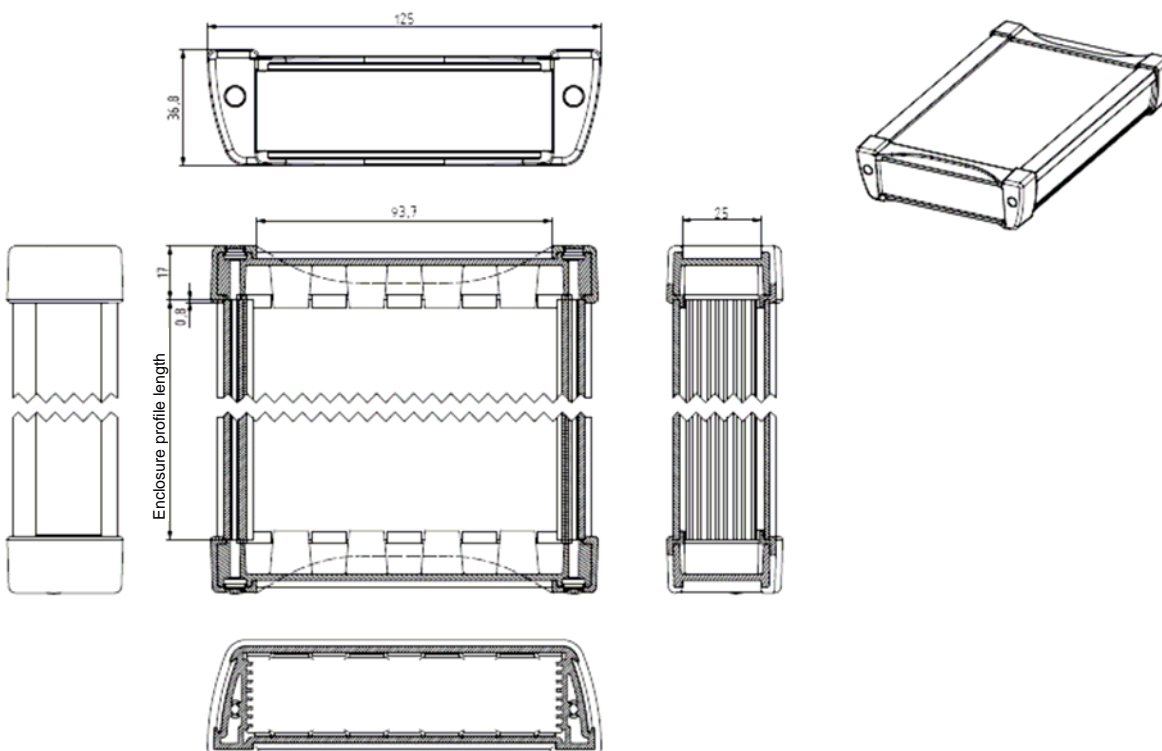
**Impact protection seals for
 ASD 830 and ASD 1030
 are being developed!**

ASD 1230 D-...



Z-2802958

ASD 1230 DI-S-...



Z-2802959

BOPLA sales organization International

ASIEN / Singapur

Phoenix Mecano S.E. Asia Pte Ltd.
53 Ubi Ave 3, #04-01
Colourscan Building
Singapore 408863
Tel.: +65 (0) 6749 / 1611
Fax: +65 (0) 6749 / 6766
+65 (0) 6749 / 6749
pmsea@pmecano.com.sg
www.phoenix-mecano.com.sg

AUSTRALIEN

Rubin Group Pty Ltd.
50 Whiting Street, P.O. Box 82
AU-1570 Artarmon, NSW
Tel.: +61 2 / 94392333
Fax: +61 2 / 94392278
csales@rubin.com.au
www.rubin.com.au

BELGIEN

PM Komponenten N.V.
Karrewegstraat 124
B-9800 Deinze
Tel.: +32 (0) 9 / 2207050
Fax: +32 (0) 9 / 2207250
info.pmb@phoenix-mecano.com
www.pmk.be

BRASILIEN

Phoenix Mecano
Comercial e Técnica Ltda.
Av. Prof. Alceu Maynard de
Araujo, 185
BRA-04726-160 São Paulo / Brasil
Tel.: +55 (0) 11 / 5641-2201
Fax: +55 (0) 11 / 5641-0882
vendas@phoenix-mecano.com.br
www.phoenix-mecano.com.br

BULGARIEN

M. P. EL GmbH
Sofronii Vrachanski Str. 30
BG-1303 Sofia
Tel.: +359 (2) / 9318002
Fax: +359 (2) / 9318002
sales@mpeltrade.com
www.mpeltrade.com

CHINA

Mecano Components (Shanghai)
Co. Ltd. & Phoenix Mecano
Components (Shanghai) Co. Ltd.
No. 1001, JiaQian Road,
Nanxiang, JiaDing District
CN-201802 Shanghai, China PRC
Tel.: +86 21 / 69176590 / 6591 / 6603 / 1937
Fax: +86 21 / 69176532 / 6602
info@mecano.com.cn
www.mecano.com.cn

DÄNEMARK

Eegholm A/S
Grundtvigs Allee 165-169
DK-6400 Sønderborg
Tel.: +45 (0) 73 / 121212
Fax: +45 (0) 73 / 121213
eegholm@eegholm.dk

ESTLAND

Miltronic OÜ
Forelli 11 / Laki 5
EE-10621 Tallinn, Estonia
Tel.: +372 (0) 65 / 18970
Fax: +372 (0) 65 / 18971
info@miltronic.ee
www.miltronic.ee

FINNLAND

Oy Elteosähkö AB
Kärsämäentie 23
FI-20360 Turku
Tel.: +358 (0) 2 / 4100200
Fax: +358 (0) 2 / 4100230
info@elteo.fi
www.elteo.fi

FRANKREICH

Phoenix Mecano
76, Rue du Bois Galon-B.P.3
F-94121 Fontenay sous Bois, Cedex
Tel.: +33 (0) 1 / 53995050
Fax: +33 (0) 1 / 53995076
info.pmf@phoenix-mecano.com
www.phoenixmecano.fr

GRIECHENLAND

Dimoulas special cables S.A.
100-102 Lenorman Str.
GR-10444 Athen
Tel.: +30-210 / 5157610
Fax: +30-210 / 5157611
dimoulas@hellasnet.gr
www.dimoulas.gr

GROSSBRITANNIEN

Bopla Enclosures Phoenix Mecano Ltd.
6-7 Faraday Road
GB-Aylesbury Bucks HP 19 8TX
Tel.: +44 (0) 1296 / 398855
Fax: +44 (0) 1296 / 398866
sales@phoenix-mecano.com
www.bopla-enclosures.co.uk

INDIEN

Phoenix Mecano (India) Ltd.
388-389, Pirangoot Indl. Area
Pirangoot Hinjewadi Road,
Village Bhare, Taluka Mulshi,
Dist Pune - 412 108
Tel.: +020 / 22929203/04
Fax: +020 / 22929205
admin@pmipl-online.com
www.pmipl-online.com

IRLAND

Reg Farrell Engineering Ltd.
Unit 19, Oak Road Business Park
Western Industrial Estate
IE-Dublin 12
Tel.: +353 (0) 1 / 4659010
Fax: +353 (0) 1 / 4659011
info@rfe.ie
www.rfe.ie

ISRAEL

I.C.P.C., P.O. Box 119
IL-Netanya 42142
Tel.: +972 (0) 9 / 8656566
Fax: +972 (0) 9 / 8656567
icpc@icpc.co.il
www.icpc.co.il

ITALIEN

Phoenix-Mecano S.R.L.
Prol. Via G. Di Vittorio 11
I-20065 Inzago (Milano)
Tel.: +39 (0) 2 / 95315260
Fax: +39 (0) 2 / 95310539
pmi.enclosure.sales@
phoenix-mecano.com
www.phoenix-mecano.it

KOREA

Phoenix Mecano Korea Co., Ltd.
6F, Toolstec Kyung-Bok Building,
985-27, Shi-Heung 3 Dong,
Keum-Cheon Ku Seoul 153-864,
South Korea
Tel.: +82 2 / 2637 - 6922
Fax: +82 2 / 2637 - 6925
info@pmecano.co.kr
www.pmecano.co.kr

Phoenix Mecano Korea Co., Ltd.

71, Gyungnam Building,
225-67, Bugak-Dong,
Geumjung-Ku,
Pusan, South Korea
Tel.: +82 5 / 15176924
Fax: +82 5 / 15176925
info@pmecano.co.kr
www.pmecano.co.kr

KROATIEN

Piletic d.o.o.
Kaptolska 39
HR-10000 Zagreb
Tel.: +385 (1) / 3014-405
Fax: +385 (1) / 3639-399
piletic@zg.htnet.hr
www.piletic.hr

LETTLAND

Miltronic SIA
Brivibas Street 155
LV-1012 (Latvia), Riga
Tel.: +371 (0) / 7501900
Fax: +371 (0) / 7501909
info@miltronic.lv
www.miltronic.lv

BOPLA sales organization International



LITAUEN

Miltronik UAB
P. Vileisio 18 II k.
LT 10306 Vilnius
Tel.: +370 (0) 527 / 80390
Fax: +370 (0) 527 / 80397
info@miltronik.lt
www.miltronik.lt

NIEDERLANDE

PM Komponenten B.V.
Havenstraat 100
NL-7005 AG Doetinchem
Tel.: +31 (0) 314 / 368368
Fax: +31 (0) 314 / 368378
info@pmkomponenten.nl
www.pmkomponenten.nl

NORWEGEN

Miltronik AS
Dölasletta 5
N-3408 Tranbyl/Norway
Tel.: +47 (0) 32 / 226610
Fax: +47 (0) 32 / 226656
info@miltronik.no

ÖSTERREICH

AVS-Phoenix Mecano GmbH
Birostr. 17
A-1232 Wien
Tel.: +43 (0) 1 / 6150801-0
Fax: +43 (0) 1 / 6150801-130
info@avs-phoenix.at
www.avs-phoenix.co.at

POLEN

EX-CON Sp. z.o.o.
ul. Braniborska 58-68
PL-53-680 Wrocław
Tel.: +48 (0) 71 / 7947047
Fax: +48 (0) 71 / 7947037
info@ex-con.pl
www.ex-con.pl

PORTUGAL

Nova Zeta 3
Automatização e Control, Lda.
Alameda, St. Antonio dos
Capuchos No. 4B
P-1169-092 Lisboa
Tel.: +351 (0) 21 / 3553930
Fax: +351 (0) 21 / 3553939
international@novazeta3.pt
www.novazeta3.pt

RUMÄNIEN

Ecas Electro
Str. Cornelia 7, sector 4
RO-75113 Bukarest
Tel.: +40 21 / 2048100
Fax: +40 21 / 2048330
office@ecas.ro
www.ecas.ro

RUSSLAND

OOO AT electronics Moskau
ul. Avtosavodskaya 16-2
RU-109280 Moskau
Tel.: +7 (0) 95 / 1014425
Fax: +7 (0) 95 / 2344489
info@at-e.ru
www.at-e.ru

AT-Electronics Ekaterienburg

Bebelya str. 17, room 405
RU-620034 Ekaterienburg
Tel.: +7 (0) 343 / 2452224
Fax: +7 (0) 343 / 2459822
ural@at-e.ru
www.at-e.ru

OOO AT Petersburg

Polytechnicheskaya str, d.9,B
RU-194021 St. Petersburg
Tel.: +7 812 / 7030817
Fax: +7 812 / 7030834
spb@at-e.ru
www.at-e.ru

SE Spezial-Electronic

Vernadskogo prospect, 127
RU-117571 Moskau
Tel.: +7 (0) 95 / 433-2582
Fax: +7 (0) 95 / 434-4409
info@spezial.ru
www.spezial.ru

SE Spezial-Electronic

Aptekarfkej-Prospekt, 8
RU-197022 St. Petersburg
Tel.: +7 (0) 8 12 / 4381029
www.at-e.com.ua

SCHWEDEN

Miltronik AB
Kungshagsvägen 7, Box 1022
S-61129 Nyköping
Tel.: +46 (0) 1 55 / 77700
Fax: +46 (0) 1 55 / 77702
info@miltronik.se
www.miltronik.se

SCHWEIZ

**Phoenix Mecano
Komponenten AG**
Hofwisenstraße 6
CH-8260 Stein am Rhein
Tel.: +41 (0) 52 / 7427500
Fax: +41 (0) 52 / 7427590
zentrale.pmk@phoenix-
mecano.com
www.phoenix-mecano.ch

SLOWAKEI

ELING, s.r.o.
Trencianska ulica 863/66
SK-01851 Nová Dubnica
Tel.: +421 42 / 4455681
Fax: +421 42 / 4434172
eling@eling.sk
www.eling.sk

SPANIEN

**Sistemas Phoenix Mecano
España, S.A.**
Pol. El Olivar, nave 15-16
Carretera de Logroño, Km. 247
E-50011 Zaragoza
Tel.: +34 (0) 976 / 786080
Fax: +34 (0) 976 / 787088
info@phoenix-mecano.es
www.phoenix-mecano.es

SÜDAFRIKA

RADÉL
P.O. Box 4364
ZA-Cresta 2118
Tel.: +27 (0) 11 / 8886696
Fax: +27 (0) 11 / 8882390
info@radel.co.za
www.radel.co.za

TAIWAN

**Phoenix Mecano S.E. Asia Pte Ltd
Taiwan Branch**
Taipei World Trade Center
Exhibition Hall
Room 4E-12, No. 5, Hsin-yi Road
Sec. 5 Taipei 110
Tel.: +886 2 / 27252627
Fax: +886 2 / 27252575
pmtwn@pmecano.com.tw

THAILAND

**Phoenix Mecano Thailand
Representative Office**
B.B. Building, 54 Sukhumvit 21
(Asoke Road),
8th Floor, Unit 3811,
Klong Toey Nua, Wattana
Bangkok 10110, Thailand
Tel.: +66-2 / 2614175 / 2614176
Fax: +66-2 / 2614177
pmthai@pmecano.com.sg

TSCHECHISCHE REPUBLIK

ELING BOHEMIA, s.r.o.
PO Box 33 Nadrahach 814
CZ-68604 Kunovice
Tel.: +42 (0) 572 / 549935
Fax: +42 (0) 572 / 549047
eling@eling.cz
www.eling.cz

TÜRKEI

ENTEK TEKNİK
Tansel Sokak No:18
(Sahsuvaroglu arkası)
E-5 Gülsuyu Kavsagl Maltepe -
Istanbul-Türkei
Tel.: +90-216 / 4577732
www.entektechnik.com

UKRAINE

AT Electronics Kiev
Zlatoustovskaya str. 32
UA-01135 Kiev
Tel.: +38 (0) 44 / 2192219
Fax: +38 (0) 44 / 2192219
info@at-e.com.ua

UNGARN

Phoenix Mecano Kecskemét Kft.
István kir. krt. 24.
H-6000 Kecskemét
Tel.: +36 (0) 76 / 515-637
Fax: +36 (0) 76 / 515-547
Tel.: +36 (0) 1 / 2624529
Fax: +36 (0) 1 / 2613464
info@phoenix-mecano.hu
www.phoenix-mecano.hu

USA

Phoenix Mecano Inc.
7330 Executive Way
USA-Frederick, Maryland 21704
Tel.: +1 (0) 301 / 696-9300
Fax: +1 (0) 301 / 696-9494
customerservice@rose-bopla.com
www.rose-bopla.com

VERTRIEBSREPRÄSENTANZ OSTEUROPA

Ex-Con-East
Heidestr. 19
D-01454 Radeberg
Mobil +49 173 / 6046519
Tel.: +49 (0) 3528 / 41500
Fax: +49 (0) 3528 / 415050
info@ex-con-east.com

Ex-Con-East GmbH

Moscow Representative Office
ul. Avtosavodskaya 16-2
RU-109280 Moskau
Tel.: +7 (0) 95 / 1014425
Fax: +7 (0) 95 / 2344489
info-moscow@ex-con-east.com

WEISSRUSSLAND

RELPOL-M
Ul. Serafimowicha, 13/24
BY-220033 Minsk
Tel.: +375 (0) 17 / 2984422
Fax: +375 (0) 17 / 2114477
info@relpol-m.com
www.relpol-m.com