



**BOPLA**

A Phoenix Mecano Company

# BOPAD

*New!*

**BOPLA**  
enclosures ■ content matters

# BoPad



Detailed product information can be found on  
[www.bopla.de](http://www.bopla.de)



- 5 basic sizes
- 2 colours
- Flat or inclined variants
- Battery compartment variants up to size BOP 900
- Design seal optional
- Impact protection optional
- Optimised for the integration of touch screens or displays (BOP 7.0 / BOP 10.1)
- Direct VESA fitting possible (BOP 7.0 / BOP 10.1)

#### Colour:

Black, similar to RAL 9005;  
White, similar to RAL 9016;  
Special colours on request

#### Protection class:

IP 40; with seal: IP 65 DIN EN 60529

#### Enclosure material:

Enclosures: ABS  
Seal / impact protection: TPE  
For details see technical information

## The wide and impressive range of handheld enclosures offer a modern design and individual design elements



Recessed area in the lid for the mounting of membrane keypads (BOP 500, 700, 900: 1.8 mm; BOP 7.0, BOP 10.1: 2.5 mm)



Flat or inclined variants



High-quality look and protection of the operating surface by means of polished frame



Ingress protection IP 65 by means of design seal; available in various colours



Protection of the enclosure by means of optional impact protection; available in various colours



Battery compartments up to size BOP 900 (4x AAA or 4x AA)



Optimised for the integration of touch screens and Li-Ion rechargeable battery system 18650 (BOP 7.0 or BOP 10.1 resp.)



Ergonomic grip recess on the enclosure and also on the impact protection (BOP 7.0 or BOP 10.1 resp.)



Direct VESA fitting (75 x75 mm) possible for BOP 7.0 or BOP 10.1 resp.

## BoPad | Enclosures



### BOP, IP40 (IP65)

Model	Order no.	A	B	C	a1	a2	b1	b2	c1	c3	Colour
BOP 500-9005	35150015	130	75	26	114	115,8	64	62,6	18,5	2,5	Black
BOP 500-9016	35150016	130	75	26	114	115,8	64	62,6	18,5	2,5	White
BOP 700-9005	35170015	165	90	34	147	147,3	77	74,1	25,5	3	Black
BOP 700-9016	35170016	165	90	34	147	147,3	77	74,1	25,5	3	White
BOP 900-9005	35190015	200	105	34	180	181,9	90	89,1	25,5	3	Black
BOP 900-9016	35190016	200	105	34	180	181,9	90	89,1	25,5	3	White

Scope of delivery: Lid and base, 4 screws

Note: With BOP\_DI upgradable to IP65.



### BOP with battery compartment, IP40 (IP65)

Model	Order no.	A	B	C	a1	a2	b1	b2	c1	c2	c3	Colour
BOP 500 BE4MC-9005	35150025	130	75	26	114	115,8	64	62,6	18,5	6,1	2,5	Black
BOP 500 BE4MC-9016	35150026	130	75	26	114	115,8	64	62,6	18,5	6,1	2,5	White
BOP 700 BE4MN-9005	35170025	165	90	34	147	147,3	77	74,1	25,5	8,6	3	Black
BOP 700 BE4MN-9016	35170026	165	90	34	147	147,3	77	74,1	25,5	8,6	3	White
BOP 900 BE4MN-9005	35190025	200	105	34	180	181,9	90	89,1	25,5	8,6	3	Black
BOP 900 BE4MN-9016	35190026	200	105	34	180	181,9	90	89,1	25,5	8,6	3	White

Scope of delivery: Lid and base, 4 screws, battery compartment lid, screws, battery contacts

Note: With BOP\_DI upgradable to IP65.

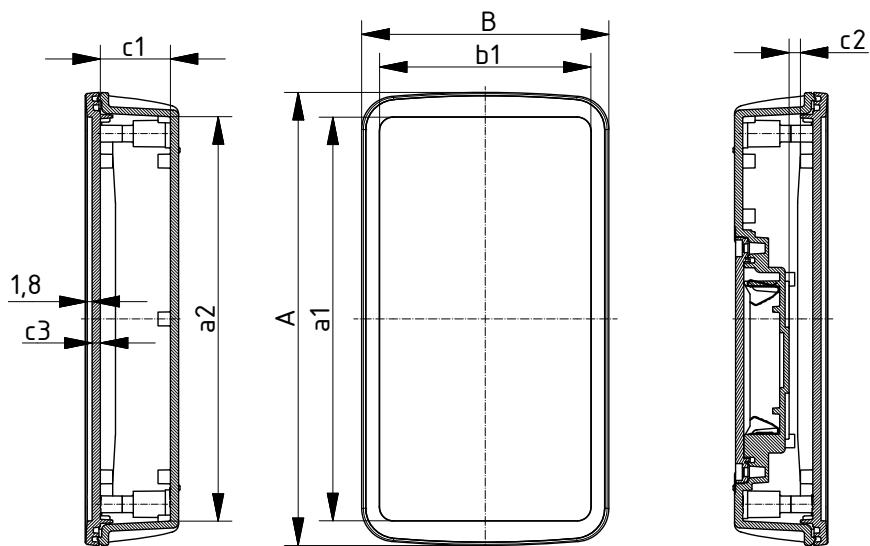


### BOP enclosure on edge, IP40 (IP65)

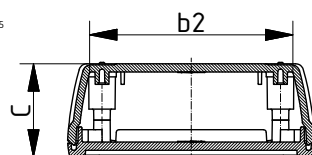
Model	Order no.	A	B	C	a1	a2	b1	b2	c3	c4	Colour
BOP 700 PH-9005	35170035	165	90	47,5	147	153,4	77	77,1	3	20,6	Black
BOP 700 PH-9016	35170036	165	90	47,5	147	153,4	77	77,1	3	20,6	White
BOP 900 PH-9005	35190035	200	105	53,6	180	188,8	90	91,5	3	20,6	Black
BOP 900 PH-9016	35190036	200	105	53,6	180	188,8	90	91,5	3	20,6	White

Scope of delivery: Lid and base, 4 screws, 4 rubber feet

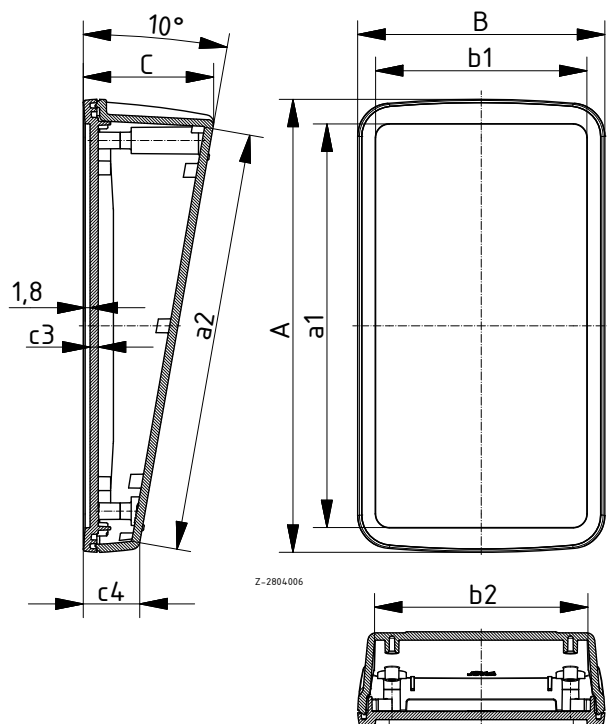
Note: With BOP\_DI upgradable to IP65.



Z-2804.005



BOP ... PH-Version



Z-2804.006

## BoPad | Enclosures

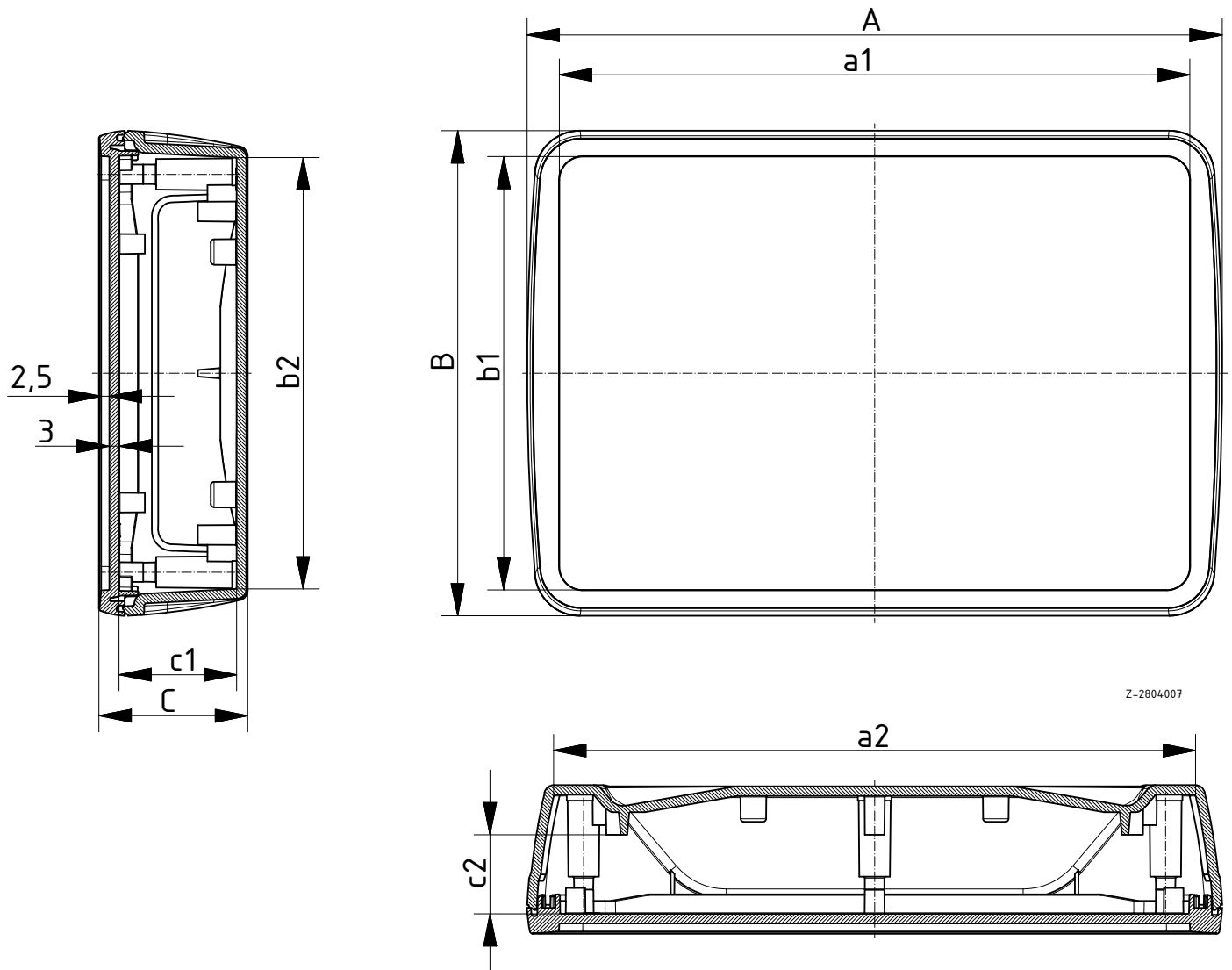


### BOP, IP40 (IP65)

Model	Order no.	A	B	C	a1	a2	b1	b2	c1	c2	Colour
BOP 7.0-9005	35107015	215	150	46	195	193,9	134	133,4	36,4	24,4	Black
BOP 7.0-9016	35107016	215	150	46	195	193,9	134	133,4	36,4	24,4	White
BOP 10.1-9005	35110115	285	198	46	262	262,9	181	180,9	36,4	24,4	Black
BOP 10.1-9016	35110116	285	198	46	262	262,9	181	180,9	36,4	24,4	White

Scope of delivery: Lid and base, 6 screws

Note: With BOP\_DI upgradable to IP65.



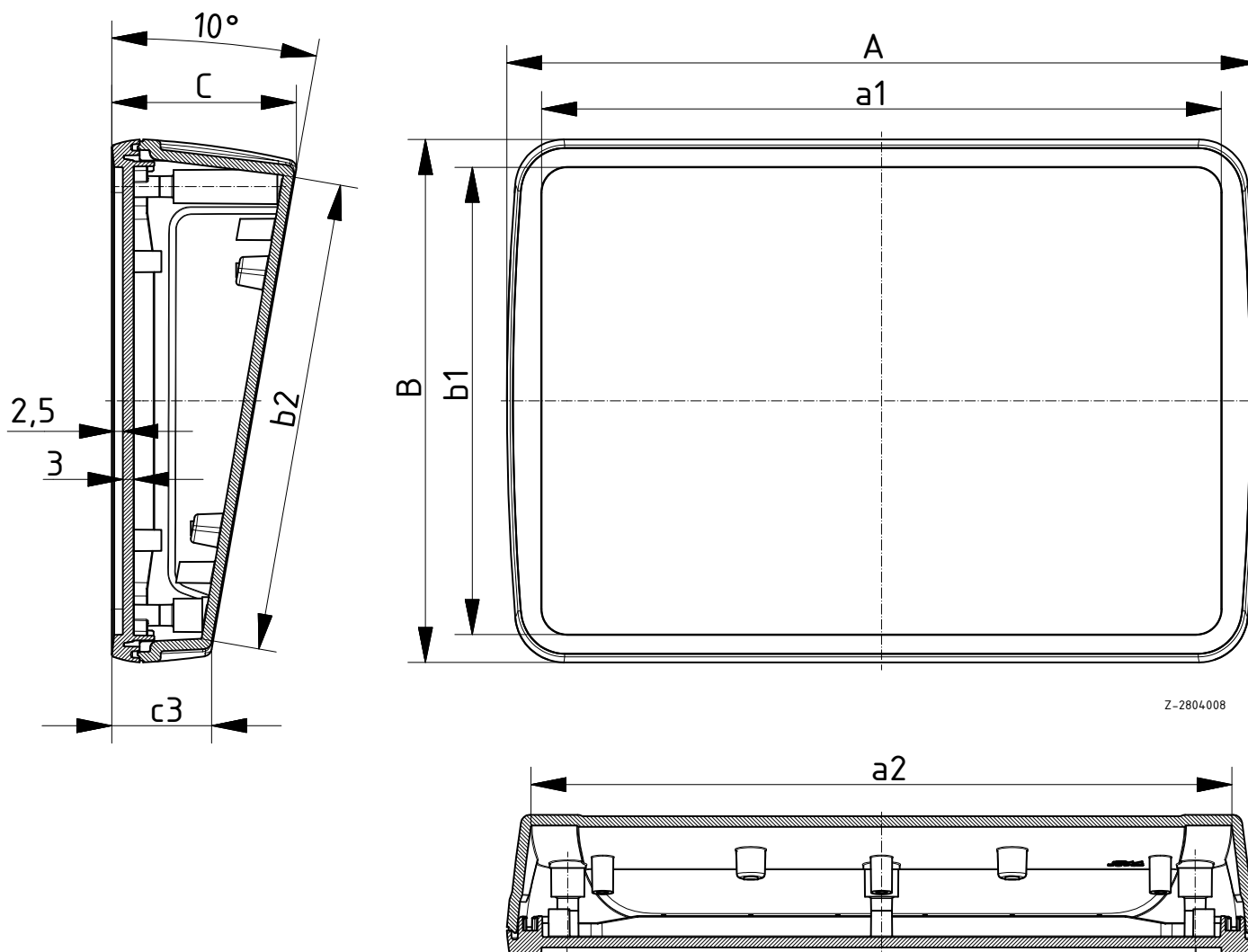
Z-2804007

# BoPad | Enclosures

## BOP console enclosure crosswise, IP40 (IP65)

Model	Order no.	A	B	C	a1	a2	b1	b2	c3	Colour
BOP 7.0 PQ-9005	35107045	215	150	53	195	196,9	134	135,1	28,7	Black
BOP 7.0 PQ-9016	35107046	215	150	53	195	196,9	134	135,1	28,7	White
BOP 10.1 PQ-9005	35110145	285	198	61,2	262	266	181	182,8	28,7	Black
BOP 10.1 PQ-9016	35110146	285	198	61,2	262	266	181	182,8	28,7	White

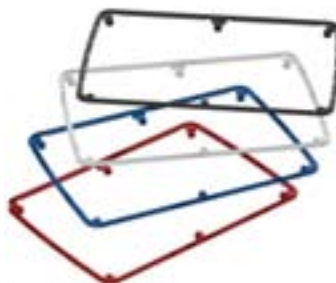
Scope of delivery: Lid and base, 6 screws, 4 rubber feet



## BoPad | Accessories



BOP 500 DI, BOP 700 DI, BOP 900 DI



BOP 7.0 DI, BOP 10.1 DI

### Design seal IP65

Model	Order no.	Colour
BOP 500 DI-9005	35250005	Black
BOP 500 DI-9016	35250006	White
BOP 500 DI-5005	35250000	Signal blue
BOP 500 DI-3001	35250001	Signal red
BOP 700 DI-9005	35270005	Black
BOP 700 DI-9016	35270006	White
BOP 700 DI-5005	35270000	Signal blue
BOP 700 DI-3001	35270001	Signal red
BOP 900 DI-9005	35290005	Black
BOP 900 DI-9016	35290006	White
BOP 900 DI-5005	35290000	Signal blue
BOP 900 DI-3001	35290001	Signal red
BOP 7.0 DI-9005	35207005	Black
BOP 7.0 DI-9016	35207006	White
BOP 7.0 DI-5005	35207000	Signal blue
BOP 7.0 DI-3001	35207001	Signal red
BOP 10.1 DI-9005	35210105	Black
BOP 10.1 DI-9016	35210106	White
BOP 10.1 DI-5005	35210100	Signal blue
BOP 10.1 DI-3001	35210101	Signal red

Scope of delivery: Enclosure seal and battery compartment seal

Note: Use the battery compartment if required.



### Impact protection

Model	Order no.	Colour
BOP 500 S-9005	35350005	Black
BOP 500 S-5005	35350000	Signal blue
BOP 500 S-3001	35350001	Signal red
BOP 500 S-1003	35350003	Signal yellow
BOP 700 S-9005	35370005	Black
BOP 700 S-5005	35370000	Signal blue
BOP 700 S-3001	35370001	Signal red
BOP 700 S-1003	35370003	Signal yellow
BOP 900 S-9005	35390005	Black
BOP 900 S-5005	35390000	Signal blue
BOP 900 S-3001	35390001	Signal red
BOP 900 S-1003	35390003	Signal yellow
BOP 7.0 S-9005	35307005	Black
BOP 7.0 S-5005	35307000	Signal blue
BOP 7.0 S-3001	35307001	Signal red
BOP 7.0 S-1003	35307003	Signal yellow
BOP 10.1 S-9005	35310105	Black
BOP 10.1 S-5005	35310100	Signal blue
BOP 10.1 S-3001	35310101	Signal red
BOP 10.1 S-1003	35310103	Signal yellow

Scope of delivery: Impact protection

Note: With impact protection, design seal BOP...DI must be mounted on the enclosure.



## BoPad | Accessories

### Screw covers for enclosure screws

Model	Order no.	Colour
BOP-SA-9005	59007405	Black
BOP-SA-9016	59007406	White

Scope of delivery: 24 pieces

Note: If impact protection is fitted, the screw covers are not needed.



### Wall fitting to VESA standard

Model	Order no.	Colour
VESA-WB-9005	35111005	Black
VESA-WB-9016	35111016	White

Scope of delivery: Enclosure adapter, wall panel, 4 fixing screws

Note: Enclosure adapter for direct mounting on the BOP 7.0 / BOP 10.1 by means of processing, also for screwing onto the BOP 900. The wall panel is suitable for wall mounting, cavity wall box mounting and VESA mounting.



### Rechargeable battery holder for 18650 Li-Ion batteries for BOP 7.0 / BOP 10.1

Model	Order no.	Note
BH 18650-1 LF	59186511	For 1x 18650, connection with soldering tags
BH 18650-1 SMD	59186512	For 1x 18650, for SMD mounting
BH 18650-1 THM	59186513	For 1x 18650, for mounting with solder pins
BH 18650-2 LF	59186521	For 2x 18650, connection with soldering tags
BH 18650-2 SMD	59186522	For 2x 18650, for SMD mounting
BH 18650-2 THM	59186523	For 2x 18650, for mounting with solder pins

Scope of delivery: 1 rechargeable battery holder



**HP U**

- 54
- 53
- 52 **.6**
- 51
- 50
- 49
- 48
- 47
- 46
- 45
- 44 **.5**
- 43
- 42
- 41
- 40
- 39
- 38
- 37
- 36
- 35 **.4**
- 34
- 33
- 32
- 31
- 30
- 29
- 28
- 27
- 26 **.3**
- 25
- 24
- 23
- 22
- 21
- 20
- 19
- 18
- 17 **.2**
- 16
- 15
- 14
- 13
- 12
- 11
- 10
- 9 **.1**
- 8
- 7
- 6
- 5
- 4
- 3
- 2
- 1
- 0 **.0**

Bopla Gehäuse Systeme GmbH | Borsigstraße 17-25 | D-32257 Bünde  
Tel. +49 (0) 5223-969-0 | Fax +49 (0) 5223-969-100  
info@bopla.de | www.bopla.de



A Phoenix Mecano Company

ENGLISH - 88112604 2016/10

cm

